

EO 40-95AA-4

ROYAL CANADIAN AIR FORCE



PART LIST

AIRCRAFT FIRE DETECTION SYSTEM

TYPE A

EDISON

This EO Replaces Interim Publication

ISSUED ON AUTHORITY OF THE CHIEF OF THE AIR STAFF

RCAF Reprint of
USAF TO 03-45GB-3

30 JUL 51

LIST OF RCAF REVISIONS

Date

Page No

Date

Page No

FOREWORD

Every effort has been made to review the contents of this EO before reproduction to ensure that it meets RCAF Standards so that technicians may derive from it the information necessary to maintain and service this equipment.

Where discrepancies are noted or deviations from accepted RCAF procedures or practices occur in this reproduction, AMCNQ is to be notified immediately by UCR so that revision action may be taken.

**
** **STOCK REPRINT** **
** ALL REVISIONS INCORPORATED **
** UP TO AND INCLUDING **
** REVISION DATED 15 OCT 50 **
**

TABLE OF CONTENTS

Section I	INTRODUCTION	Page 1
II	GROUP ASSEMBLY PARTS LIST	4
Figure	Illustrations	
2	Exploded View of Cage-Style Fire Detectors	4
3	Exploded View of Probe-Style Fire Detectors	
4	Exploded View of One-Circuit Control Assemblies	8
5	Exploded View of Two-Circuit Control Assemblies	12
5A	Exploded View of Three-Circuit Control Assemblies	18
6	Exploded View of Four-Circuit Control Assemblies	20
7	Exploded View of Six-Circuit Control Assemblies	24
8	Exploded View of Sensitive Relay	27
III	SPECIAL SERVICE TOOLS LIST	29
IV	NUMERICAL PARTS LIST	30

SECTION I
INTRODUCTION

1-1. This Parts Catalog lists, describes, and illustrates the components listed below which are employed in Type A, Aircraft Fire Detection

Systems manufactured by the Instrument Division, Thomas A. Edison, Incorporated, West Orange, N. J.

COMPONENT	STYLE	USAF TYPE	USAF SPEC	MFR'S MODEL NO.	MFR'S PART NO.	REMARKS
DETECTOR (THERMOCOUPLE)	CAGE	--	--	108-5	33786 series	Has two No. 6 terminals
		--	--	108-8	35155 series	Has No. 6 and No. 8 terminals
		F-1	41447	108-10	35534 series (35534-2 only)	Replaces No. 35155 and, with wiring terminal change. No. 33786
	PROBE	--	--	108-6	34606	Grounded
		F-2	45001	108-7	34606-2	Ungrounded
	1 CIRCUIT	A-1	45002	109-1	810911	Replaces 34606-2
	2 CIRCUIT	--	--	117-13	34368	
		--	--	117-31	34362-2	
		--	--	117-38	34972-4	
		--	--	117-28	34974-1	
A-2		45003	117-35	34974-3		
3 CIRCUIT	--	--	117-62	34974-6		
	--	--	117-62-1	34974-7		
	--	--	117-52A	35884		
CONTROL ASSEMBLY (RELAY PANEL)*	4 CIRCUIT	--	--	117-10s	34216-2	
		--	--	117-4	33896	
		--	--	117-44	33896-2	
		--	--	117-15	34399	
	6 CIRCUIT	--	--	117-1441	34399-2	Uses four No. 34606 grounded detectors
		--	--	117-20	34726	
		--	--	117-54	34726-2	
		A-3	45004	117-64	34726-4	
		--	--	117-64-1	34726-6	
	6 CIRCUIT	--	--	117-1422	34978	Uses two No. 34606 grounded detectors
--		--	117-1424	34978-2		
6 CIRCUIT	--	--	117-30	34968		
	--	--	117-47	35213		

*Control Assemblies are called Relay Panels under Edison nomenclature.

1-2. Three basic models of cage-style fire detectors are listed. Each is available in five variations depending upon flange position. Functionally all are interchangeable. The Part No. 35534 series is of improved design to better withstand service conditions. It may readily be identified by its grey moulded insert; the older models which it supersedes, having black plastic inserts. Both Part No. 35534 and 35155 series are equipped with No. 8 negative and No. 6 positive terminal studs. In the Part No. 33786 series No. 6 studs are used for both terminals.

1-3. Three models of probe style fire detectors are listed. Part No. 34606 is grounded and must be used with, and only in systems employing, control assemblies designed for it. The improved model, Part No. 810911, supersedes Part No. 34606-2. Both are ungrounded and may be used interchangeably.

1-4. Control assemblies, also known as relay panels, are divided into major groups according to the number of detector circuits they are designed to serve. (Refer to table under paragraph 1-1.) Basically all control assemblies are similar in design and construction. However, within the group, models are distinguished by such details as circuit arrangement, type of shock-mounting, and specific parts used for each particular purpose. These differences may readily be noted by reference to the exploded views and application coding system employed in the Group Assembly Parts Lists.

1-5. Because the sensitive relay is a unit which is used in all control assemblies, it has been covered in a separate assembly parts list. Reference thereto is made in connection with the listing of the sensitive relay in each control assembly parts list.

1-6. Assemblies, sub-assemblies, and detail parts are listed in order of disassembly in the Group Assembly Parts Lists except that attaching parts follow immediately after the items to be attached and preceding any components of said items. Index numbers in these lists cross reference the nomenclature and the exploded views. In the Numerical Parts List items are tabulated in numerical order and cross referenced with the exploded views and Group Assembly Parts Lists by means of the figure and index numbers.

1-7. Part numbers have been assigned by the contractor to all except a few non-procurable parts which are included for reference. However, government standard parts and commercial furnished equipment has been listed by government and commercial manufacturer's part numbers respectively, with the contractor's drawing number shown parenthetically following the nomenclature in the Group Assembly Parts List. A code symbol from the list below is placed in parenthesis following the nomenclature of each item of commercial furnished equipment to designate the manufacture thereof.

LIST OF MANUFACTURERS

<u>Manufacturers</u>	<u>Symbol</u>
Advan Electric & Relay Co., Los Angeles, Cal.	ADE
Aircraft Marine Products, Harrisburg, Pa.	ARP

Allied Control Co., Inc. New York, N. Y.	ALL
American Phenolic Corp., Chicago, Ill.	AMP
Barry Corporation, Cambridge, Mass.	BLC
Birtcher Corporation, Los Angeles, Cal.	BHE
Camloc Fastener Corp., New York, N.Y.	CLC
Cherry Rivet Co., Los Angeles, Cal.	CY
Dzus Fastener Co., Inc., Babylon, N. Y.	DZ
Elastic Stop Nut Corp., Union, N. J.	EN
Price Electric Corp., Frederick, Md.	PRL
Revere Corp. of America, Wallingford, Conn.	RCO
Shakeproof, Inc., Chicago, Ill.	SH
Tinnerman Products Inc., Cleveland, Ohio	TIN
Waldes-Koh-1-Noor Inc., Long Island City, N.Y.	WKI
Weatherhead Co., Cleveland, Ohio	WH

1-8. The asterisk (*) preceding a part number indicates non-procurable parts. The double asterisk (**) preceding a part number indicates an alternate part. The triple asterisk (***) preceding a part number indicates an obsolete part which is therefore a non-procurable alternate for the current part. In order to avoid the necessity for stocking large numbers of special parts, standard parts are listed for such use even though the finish may vary from that of the corresponding part originally supplied by the manufacturer, providing such variation will not affect the operation or external appearance of the instrument. For bulk items, the letters "AR" are used in the quantity column to indicate "as required".

1-9. Major Assembly Application Coding Lists are included at the beginning of the listing of groups of major assemblies in the Group Assembly Parts Lists. By reference to these Coding Lists it is possible to determine in which model the part is used.

1-10. In order to identify a part, the following procedure may be used.

a. When part number is known, turn to the Numerical Parts List for figure and index number; then using the figure and index numbers in the first column of the Group Assembly Parts List, determine the nomenclature, and application.

b. When part number is unknown, refer to applicable exploded view as listed in Table of Contents and, after determining the index number of the part in question, using figure and index numbers in the first column of the Group Assembly Parts List, determine the nomenclature and application.

c. To determine the procurable assembly to requisition as a replacement when a part is listed in the Group Assembly Parts List as non-procurable, find the first procurable assembly applicable to that instrument above and in the column to the left of the part in question.

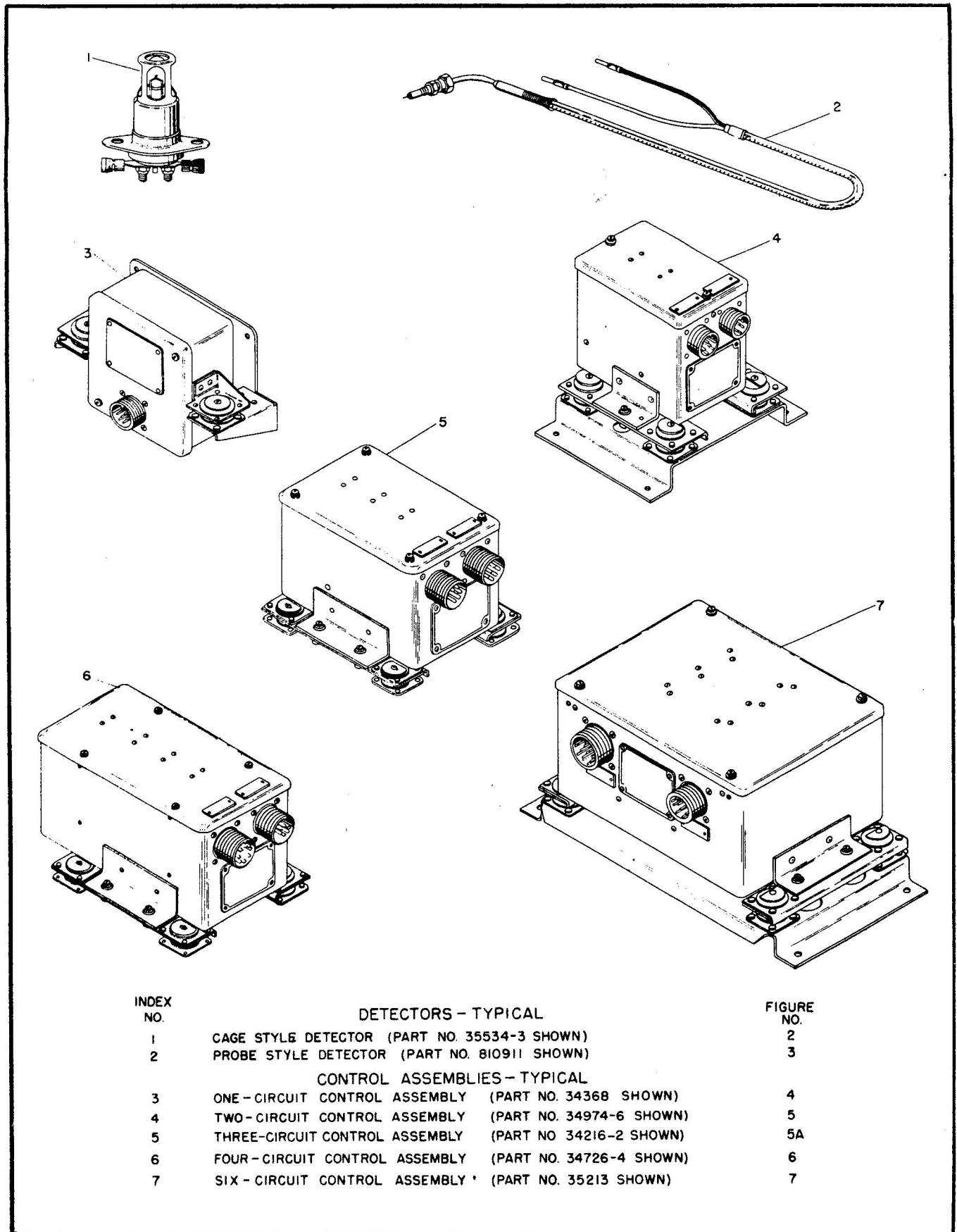


Figure 1. Main Assemblies of Fire Detection System - Typical

SECTION II
GROUP ASSEMBLY PARTS LIST

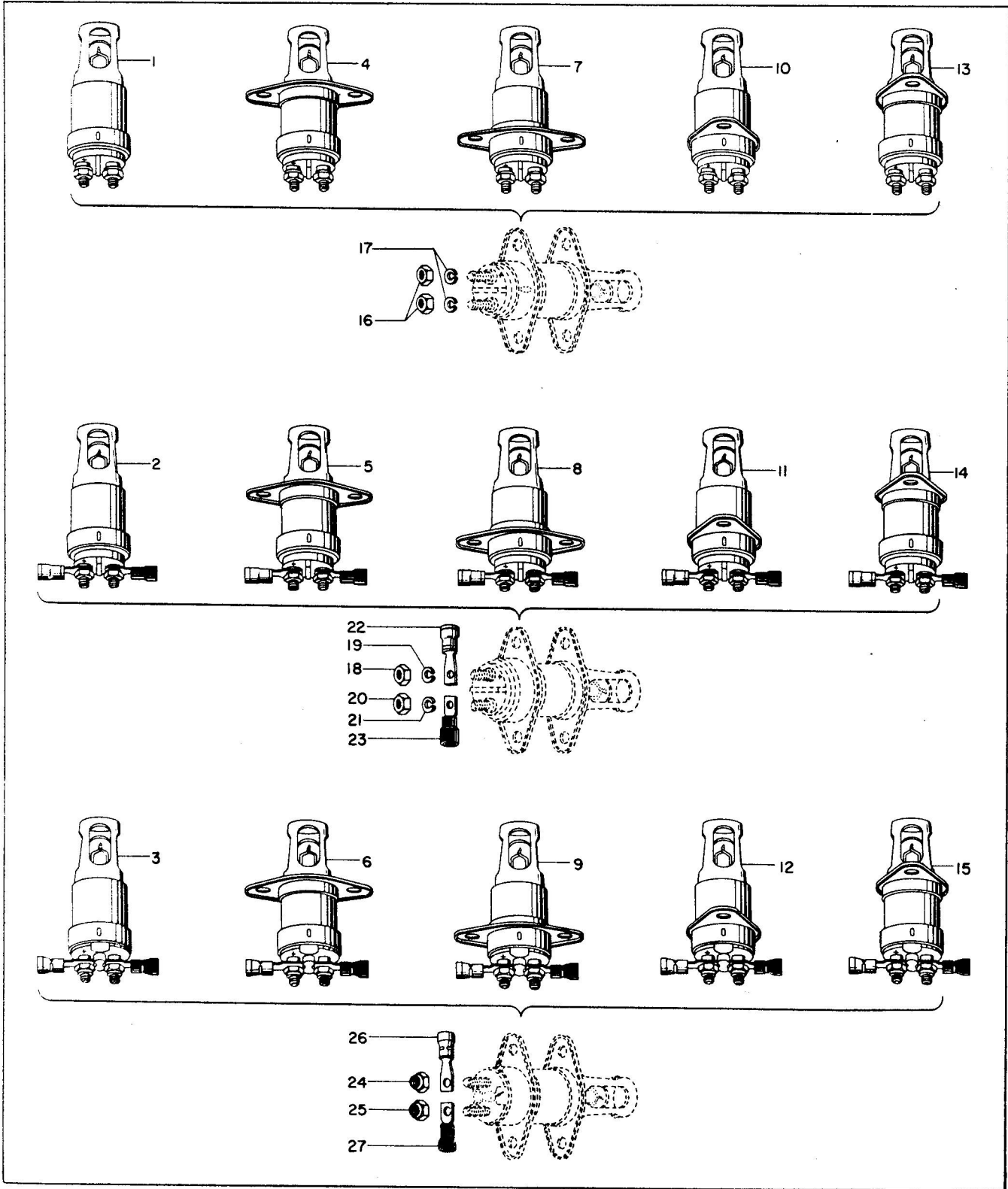


Figure 2. Cage Style Fire Detectors

Figure and Index No.	Part Number	Nomenclature							Units per Assy.	Application Code
		1	2	3	4	5	6	7		
CAGE STYLE FIRE DETECTORS										
		Application Code	Major Assembly Part Numbers							
		a	33786-1, -2, -3, -4, and -5							
		b	35155-1, -2, -3, -4, and -5							
		c	35534-1, -2, -3, -4, and -5							
2-1	33786-1	Detector - Fire, thermocouple, rate of temperature rise, without flange	1							a
-2	35155-1	Detector - Fire, thermocouple, rate of temperature rise, without flange	1							b
-3	35534-1	Detector - Fire, thermocouple, rate of temperature rise, without flange	1							c
-4	33786-2	Detector - Fire, thermocouple, rate of temperature rise, flange parallel with terminals, 7/8 in. from top	1							a
-5	35155-2	Detector - Fire, thermocouple, rate of temperature rise, flange parallel with terminals, 7/8 in. from top	1							b
-6	35534-2	Detector - Fire, thermocouple, rate of temperature rise, flange parallel with terminals, 7/8 in. from top	1							c
-7	33786-3	Detector - Fire, thermocouple, rate of temperature rise, flange parallel with terminals, 1-25/64 in. from top	1							a
-8	35155-3	Detector - Fire, thermocouple, rate of temperature rise, flange parallel with terminals, 1-25/64 in. from top	1							b
-9	35534-3	Detector - Fire, thermocouple, rate of temperature rise, flange parallel with terminals, 1-25/64 in. from top	1							c
-10	33786-4	Detector - Fire, thermocouple, rate of temperature rise, flange at right angle with terminals, 1-25/64 in. from top	1							a
-11	35155-4	Detector - Fire, thermocouple, rate of temperature rise, flange at right angle with terminals, 1-25/64 in. from top	1							b
-12	35534-4	Detector - Fire, thermocouple, rate of temperature rise, flange at right angle with terminals, 1-25/64 in. from top	1							c
-13	33786-5	Detector - Fire, thermocouple, rate of temperature rise, flange at right angle with terminals, 7/8 in. from top	1							a
-14	35155-5	Detector - Fire, thermocouple, rate of temperature rise, flange at right angle with terminals, 7/8 in. from top	1							b
-15	35534-5	Detector - Fire, thermocouple, rate of temperature rise, flange at right angle with terminals, 7/8 in. from top	1							c
-16	com1	. Nut - Hex, stainless steel, No. 6-32 (Edison No. NA13103)	2							a
-17	com1	. Washer - Lock, helical, stainless steel, for No. 6 bolt (Edison No. NA13104)	2							a
-18	com1	. Nut - Hex, stainless steel, No. 6-32 (Edison No. NA13103)	1							b
-19	com1	. Washer - Lock, helical, stainless steel, for No. 6 bolt (Edison No. NA13104)	1							b
-20	com1	. Nut - Hex, stainless steel, No. 8-32 (Edison No. NA13369)	1							b

Figure and Index No.	Part Number	Nomenclature						Units Per Assy.	Application Code
		1	2	3	4	5	6		
CAGE STYLE FIRE DETECTORS (cont)									
2-21	com1								
-22	34579							1	b
-23	34580							1	b
-24	AN363C832							1	b
-25	AN363C832							1	c
-26	35727							1	c
-27	35729							1	c

Note: See page 5 for application code for this page.

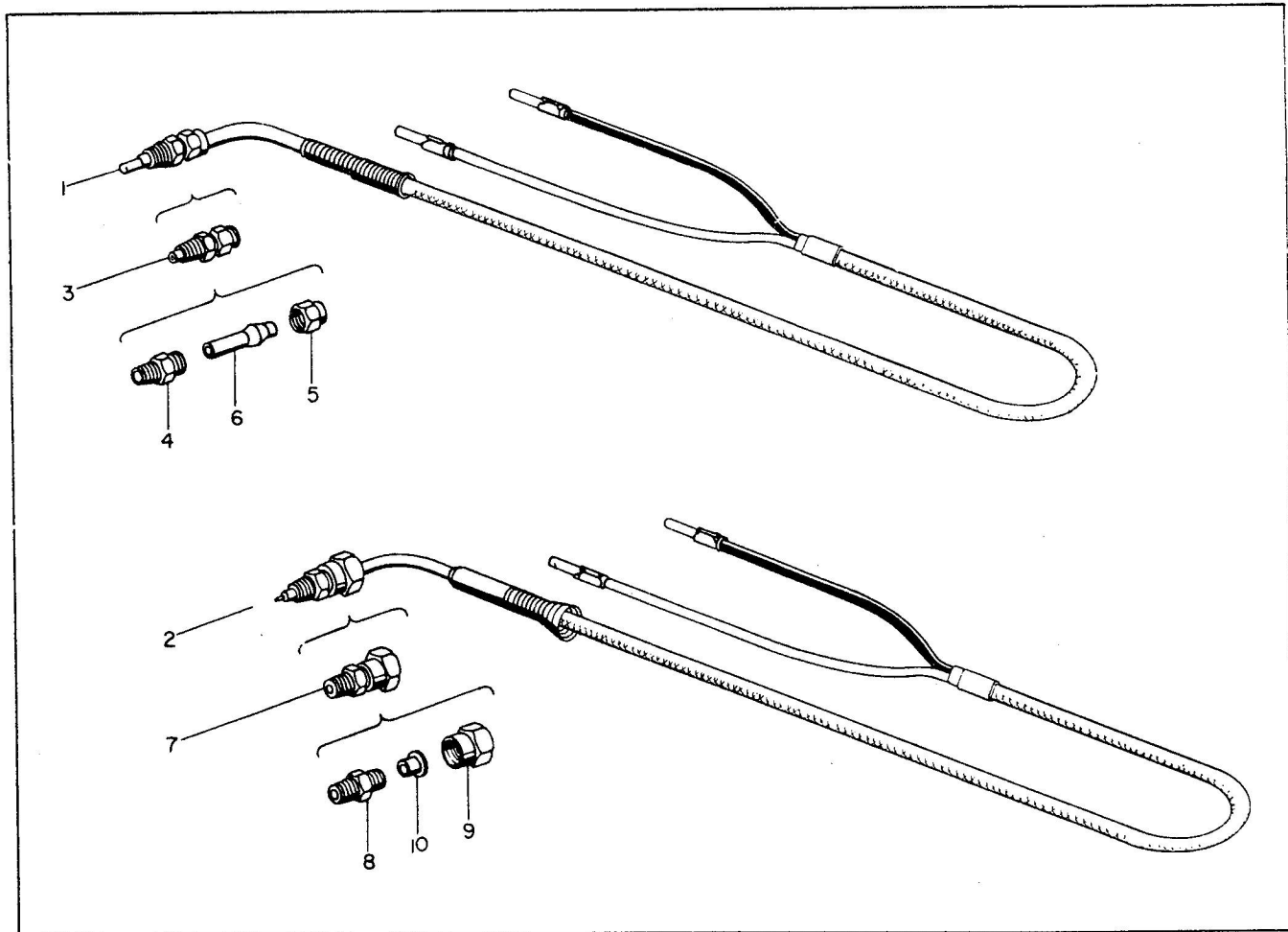


Figure 3. Exploded View of Probe Style Fire Detectors

Figure and Index No.	Part Number	1	2	3	4	5	6	7	Nomenclature	Units Per Assy.	Application Code
PROBE STYLE FIRE DETECTORS											
									Application Code		
									Major Assembly Part Number		
									a		
									b		
									c		
3-1	34606								Detector - Fire, thermocouple, rate of temperature rise, probe style, grounded	1	a
-1	34606-2								Detector - Fire, thermocouple, rate of temperature rise, probe style, ungrounded	1	b
-2	TG-1921								Detector - Fire, thermocouple, rate of temperature rise, probe style, ungrounded (USAF type F-2, Spec 45001) (RCO) (Edison No. 810911)	1	c
-3	NA45090								. Mount Assy	1	a,b
-4	NA20761								. . Nipple	1	a,b
-5	NA20762								. . Nut	1	a,b
-6	NA20760								. . Sleeve - Nylon	1	a,b
-7	NA13484								. Connector - Male (WH) (Part No. ERMETO AS217-4 reworked to .257 in. dia.)	1	c
-8	*No Number								. . Nipple	NP	c
-9	*No Number								. . Nut	NP	c
-10	T-1923								. . Ferrule - Nylon (RCO) (Edison No. NA13485)	1	c

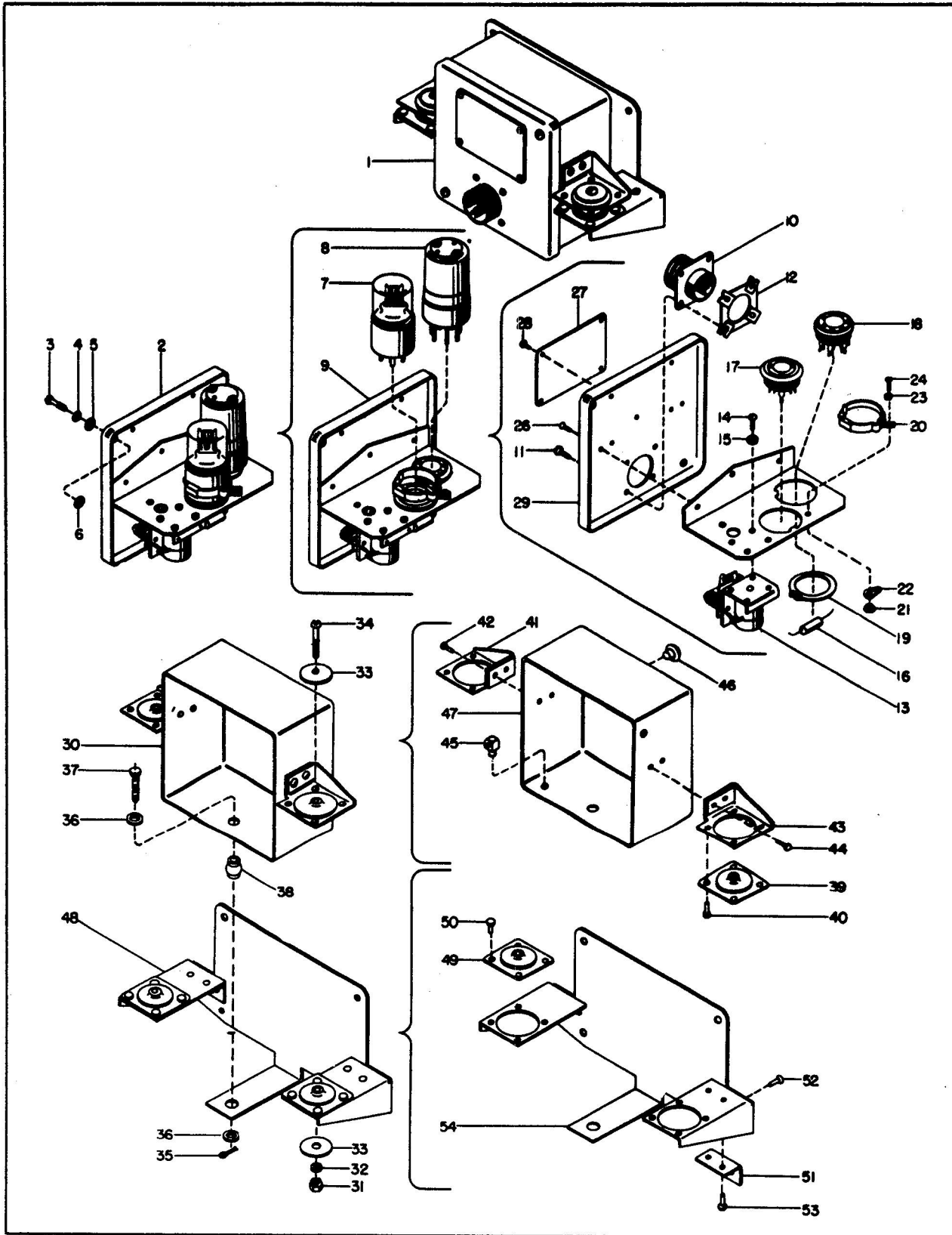


Figure 4. Exploded View of One-circuit Control Assembly

Figure and Index No.	Part Number	Nomenclature	Units							Application Code
			Per Assy.	1	2	3	4	5	6	
ONE-CIRCUIT FIRE DETECTOR CONTROL ASSEMBLY										
4-1	34368	Control Assy - Fire detector, one-circuit (USAF Type A-1, spec 45002)	1							all
-2	*No Number	. Cover Assy - Complete	NP							all
Attaching Parts										
-3	NA13170	. Screw - Cover	2							all
-4	NA13455-8	. Washer - Lock, helical, stainless steel, for No. 8 bolt	2							all
-5	AN960D8	. Washer - Plain, A1, for No. 8 bolt (Edison No. NA13171)	2							all
-6	NA13152	. Washer - Fiber, 5/16 OD x 9/64 ID x 1/32 in. thick	2							all
- - - * - - -										
-7	33795-1	. . Relay - Sensitive (see figure 8 for breakdown)	1							all
-8	33862-1	. . Unit - Test, thermal	1							all
-9	NA45152	. . Cover Assy	1							all
-10	AN3102-16S-1P	. . . Receptacle - Connector, elec, box mtg, type RB 7-pin (Edison No. NA13193)	1							all
Attaching Parts										
-11	AN530-4-6	. . . Screw - Sht metal, rd hd, steel, No. 4, 3/8 in. lg (Edison No. NA13161)	4							all
-12	A6935-16-41	. . . Ring - Retainer, No. 16 (TIN) (Edison No. NA13195)	1							all
- - - * - - -										
-13	F4D37	. . . Relay - dpst (ALL) (Edison No. NA13197)	1							all
Attaching Parts										
-14	AN515C4-3	. . . Screw - Mach, rd hd, stainless steel, No. 4-40, 3/16 in. lg (Edison No. NA13487-3)	4							all
-15	NA13225	. . . Washer - Lock, internal teeth, stainless steel, for No. 4 bolt	4							all
- - - * - - -										
-16	RC30BE391J	. . . Resistor - 390 ohms, 1 watt (Edison No. NA13261)	2							all
-17	78-S7S	. . . Socket - 7-contact (AMP) (Edison No. NA13136)	1							all
-18	78-S-4	. . . Socket - 4-contact (AMP) (Edison No. NA13137)	1							all
Attaching Part										
-19	5101-112	. . . Ring - Retaining (WKI) (Edison No. NA13427)	2							all
- - - * - - -										
-20	926A	. . . Clamp - (BHE) (Edison No. NA13143)	1							all
Attaching Part										
-21	NA13103	. . . Nut - Hex, stainless steel, No. 6-32	1							all
-22	2102-6	. . . Terminal - Locking, No. 6 (SH) (Edison No. NA13342)	1							all
-23	AN960C6	. . . Washer - Plain, stainless steel, for No. 6 bolt (Edison No. NA13262)	1							all
-24	AN515C6-5	. . . Screw - Mach, rd hd, stainless steel, No. 6-32, 5/16 in. lg (Edison No. NA13489-5)	1							all
- - - * - - -										
-25	NA20913	. . . Chassis	1							all
Attaching Part										
-26	AN425A3-4	. . . Rivet - C'sink hd, 78°, A1, 3/32 dia x 1/4 in. lg (Edison No. NA13380)	3							all
- - - * - - -										

Section II
Group Assembly Parts List

EO 40-95AA-4

Figure and Index No.	Part Number	Nomenclature	Units							Application Code
			Per Assy	1	2	3	4	5	6	
ONE-CIRCUIT FIRE DETECTOR CONTROL ASSEMBLY (cont)										
4-27	NA13395-1	. . . Nameplate	1							all
		Attaching Part								
-28	AN535-0-2	. . . Screw - Drive, stainless steel, No. 0, 1/8 in. lg (Edison No. NA13304-2).	4							all
		--- * ---								
-29	NA20916	. . . Cover - Mach	1							all
-30	NA45153	. Box and Bracket Assy	1							all
		Attaching Parts								
-31	AN340C8	. Nut - Hex, stainless steel, No.8-32 (Edison No. NA13462-8).	2							all
-32	NA13455-8	. Washer - Helical, stainless steel, for No. 8 bolt	2							all
-33	NA13159	. Washer - Crash, A1, 15/16 OD x .171 ID x 1/32 in. thick	4							all
-34	AN515C8-18	. Screw - Mach, rd hd, stainless steel, No. 8-32, 1-1/8 in. lg (Edison No. NA10266-18)	2							all
-35	AN381-2-6	. Pin - Cotter, stainless steel, 1/16 dia x 3/8 in. lg (Edison No. NA13366)	1							all
-36	NA13368	. Washer - A1, 1/2 OD x .195 ID x .040 in. thick	2							all
-37	AN393-23	. Pin - Flat hd, steel, 3/16 dia x 23/32 in. grip (Edison No. NA13365)	1							all
-38	275-1	. Mount - Shock (BLC) (Edison No. NA13367)	1							all
		--- * ---								
-39	AN8008D0	. . Isolator - Vibration, A1, alloy metal parts, 1/2 lb (Edison No. NA13133)	2							all
		Attaching Part								
4-40	AN442A4-4	. . Rivet - Flat hd, A1, 1/8 dia x 1/4 in. lg (Edison No. NA13282)	8							all
		--- * ---								
-41	NA21072-1	. . Bracket - Shock mt, left hand . .	1							all
		Attaching Part								
-42	AN442A4-4	. . Rivet - Flat hd, A1, 1/8 dia x 1/4 in. lg (Edison No. NA13282)	2							all
		--- * ---								
-43	NA21072-2	. . Bracket - Shock mt, right hand . .	1							all
		Attaching Part								
-44	AN442A4-4	. . Rivet - Flat hd, A1, 1/8 dia x 1/4 in. lg (Edison No. NA13282)	2							all
		--- * ---								
-45	NA20859	. . Plate - Nut, mach	2							all
-46	C16926	. . Foot - Rubber	2							all
-47	NA20915	. . Box - Mach	1							all
-48	NA45155	. Bracket Assy - Mtg	1							all
-49	AN8008D0	. . Isolator - Vibration, A1 alloy metal parts, 1/2 lb (Edison No. NA13133)	2							all
		Attaching Part								
-50	AN442A4-4	. . Rivet - Flat hd, A1, 1/8 dia x 1/4 in. lg (Edison No. NA13282)	8							all
		--- * ---								
-51	NA21073	. . Bracket - Angle	2							all
		Attaching Parts								
-52	AN425A3-4	. . Rivet - C'sink hd, 78°, A1, 3/32 dia x 1/4 in. lg (Edison No. NA13380)	4							all

Note: See page 9 for application code for this page.

Figure and Index No.	Part Number	Nomenclature							Units Per Assy.	Application Code
		1	2	3	4	5	6	7		
ONE-CIRCUIT FIRE DETECTOR CONTROL ASSEMBLY (cont)										
4-53	AN430A3-3	Rivet - Rd hd, A1, 3/32 dia x 3/16 in. lg (Edison No. NA13203)	.	4		all
		- - -	*	- - -						
-54	NA20914	Bracket - Mtg	1		all
Note: See page 9 for application code for above.										

Figure and Index No.	Part Number	Nomenclature							Units Per Assy.	Application Code
		1	2	3	4	5	6	7		
TWO-CIRCUIT FIRE DETECTION CONTROL ASSEMBLIES										
		Application Code			Major Assembly Part Numbers					
		a						34362-2		
		b						34972-4		
		c						34974-1		
		d						34974-3		
		e						34974-6		
		f						34974-7		
		g						35884		
5-1	34362-2					Control Assy - Fire detector, two-circuit		1		a
-2	34972-4					Control Assy - Fire detector, two-circuit		1		b
-3	34974-1					Control Assy - Fire detector, two-circuit		1		c
-3	34974-3					Control Assy - Fire detector, two-circuit		1		d
-3	34974-7					Control Assy - Fire detector, two-circuit		1		f
-4	34974-6					Control Assy - Fire detector, two-circuit		1		e
-5	35884					Control Assy - Fire detector, two-circuit		1		g
-6	NA45129-2	Panel Assy		1		a
-6	NA45182-2	Panel Assy		1		b,d,g
-6	NA45130-2	Panel Assy		1		c,
-6	NA45132	Panel Assy		1		e,f
-7	NA45133	Cover Assy		1		all
		Attaching Parts								
-8	NA13170	Screw - Cover		1		all
-9	AN935-8	Washer - Lock, helical, stainless steel, for No. 8 bolt (Edison No. NA13455-8)		2		all
-10	AN960D8	Washer - Plain, A1, for No. 8 bolt (Edison No. NA13171)		2		all
-11	NA13152	Washer - Fiber, 5/16 OD x 9/64 ID x 1/32 in. thick		2		all
		- - -	*	- - -						
-12	NA20838	Spring		2		all
		Attaching Part								
-13	AN430A4-3	Rivet - Rd hd, A1, 1/8 dia x 5/32 in. lg (Edison No. NA13219)		4		all
		- - -	*	- - -						
-14	NA20983	Cover - Mach		1		all
-15	33795-1	Relay - Sensitive (see figure 8 for breakdown)		2		all
-16	33862-1	Unit - Test, thermal		2		all
-17	NA45145	Chassis Assy		1		a,c
-17	NA45181	Chassis Assy		1		d,b,g
-17	NA45147	Chassis Assy		1		e,f
		Attaching Parts								
-18	AN530-4-6	Screw - Sht metal, rd hd, steel No. 4, 3/8 in. lg (Edison No. NA13161)		8		a,b,c,d,g
-18	AN515C4-3	Screw - Mach, rd hd, stainless steel, No. 4-40, 3/16 in. lg (Edison No. NA13487-3)		8		e,f
-19	NA21208	Strap - Nut, No. 16		1		e,f
-20	NA21207	Strap - Nut, No. 14		1		e,f
-21	AN515C8-8	Screw - Mach, rd hd, stainless steel, No. 8-32, 1/2 in. lg (Edison No. NA10266-8)		4		all

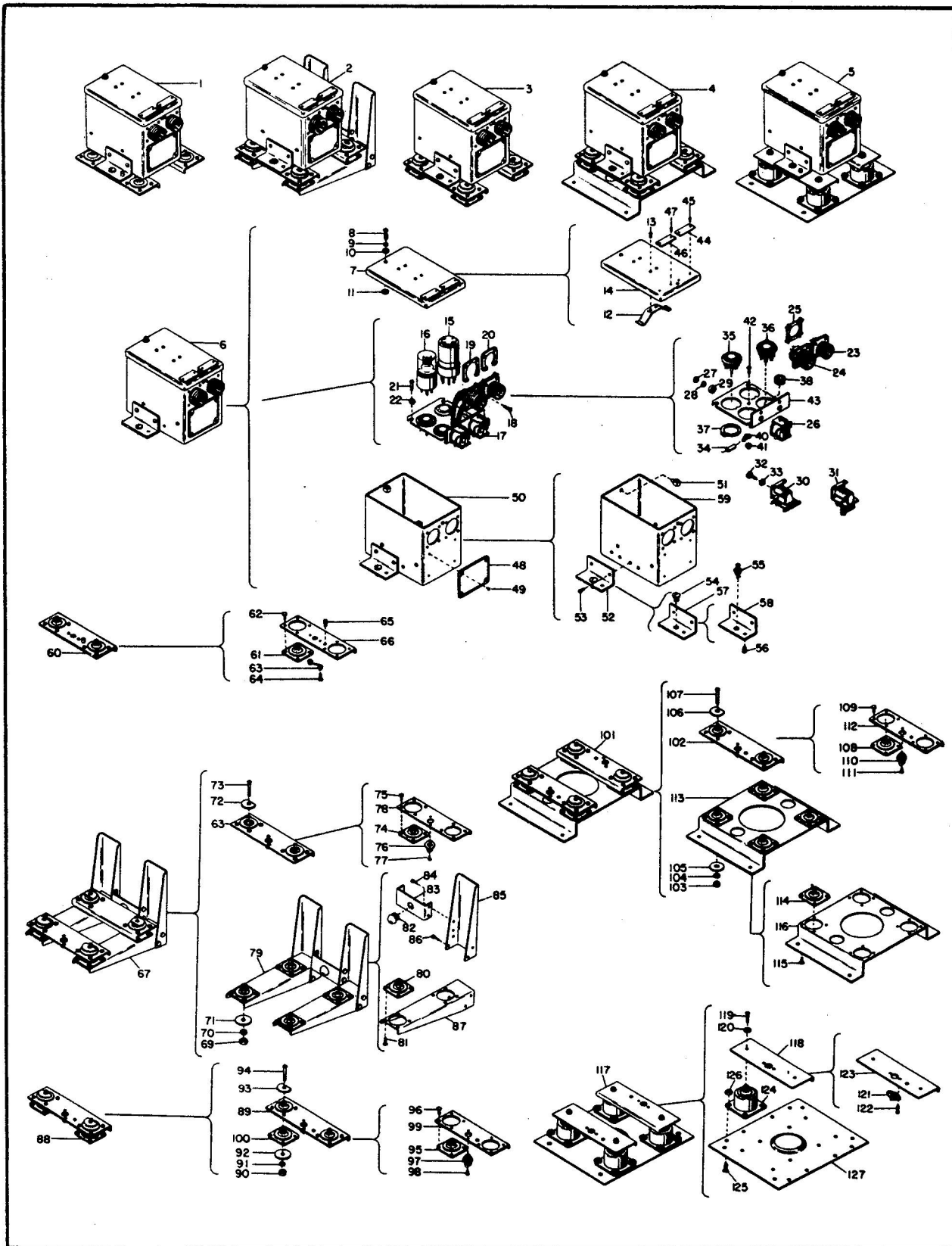


Figure 5. Exploded View of Two-Circuit Control Assemblies

Section II
Group Assembly Parts List

EO 40-95AA-4

Figure and Index No.	Part Number	Nomenclature							Units Per Assy.	Application Code
		1	2	3	4	5	6	7		
TWO-CIRCUIT FIRE DETECTOR CONTROL ASSEMBLIES (cont)										
5-44	NA13407	1	all
		Attaching Part								
-45	AN442A2-3	2	all
		Rivet - Flat hd, A1, 1/16 dia x 3/16 in. lg (Edison No. NA13284)								
		- - - * - - -								
-46	NA13405	1	all
		Attaching Part								
-47	AN442A2-3	2	all
		Rivet - Flat hd, A1, 1/16 dia x 3/16 in. lg (Edison No. NA13284)								
		- - - * - - -								
-48	NA13395-0	1	all
		Attaching Part								
-49	AN535-0-2	4	all
		Screw - Drive, stainless steel, No. 0, 1/8 in. lg (Edison No. NA13304-2)								
		- - - * - - -								
-50	NA45137-2	1	a
-50	NA45138-2	1	b,c,d,g
-50	NA45139	1	e,f
-51	NA20859	6	all
-52	NA40481	2	a
-52	NA45140	2	b,c,d,e,f,g
		Attaching Part								
-53	AN442A4-4	4	all
		Rivet - Flat hd, A1, 1/8 dia x 1/4 in. lg (Edison No. NA13282)								
		- - - * - - -								
-54	A4-30	2	a
		Fastener - (DZ) (Edison No. NA13201)								
-55	2600-E5	2	b,c,d,e,f,g
		Fastener-(CLC) (Edison No. 33919-2)								
-56	NA20873	2	b,c,d,e,f,g
-57	NA20880	2	a
-58	NA20917	2	b,c,d,e,f,g
-59	NA20982	1	a,b,c,d,g
-59	NA21209	1	e,f
-60	NA40480	2	a
-61	AN8008D0	4	a
		Strap Assy								
		Isolator - Vibration, A1 alloy metal parts, 1/2 lb (Edison No. NA13133)								
		Attaching Part								
-62	AN442A4-4	16	a
		Rivet - Flat hd, A1, 1/8 dia x 1/4 in. lg (Edison No. NA13282)								
		- - - * - - -								
-63	S4-225	2	a
		Spring - Fastener (DZ) (Edison No. NA13202)								
		Attaching Part								
-64	AN430A3-3	4	a
		Rivet - Rd hd, A1, 3/32 dia x 3/16 in. lg (Edison No. NA13203)								
		- - - * - - -								
-65	NA20873	2	a
-66	NA20877	2	a
-67	NA45184	1	b
-68	NA45143-1	2	b
		Strap Assy								
		Attaching Parts								
-69	AN340C8	4	b
		Nut - Hex, stainless steel, No. 8-32 (Edison No. NA13462-8)								
-70	AN935-8	4	b
		Washer - Lock, helical, stainless steel, for No. 8 bolt (Edison No. NA13455-8)								
-71	NA13159	4	b
		Washer - Crash, A1, 15/16 OD x .171 ID x 1/32 in. thick.								
-72	NA20907	4	b
-73	AN515C8-18	4	b
		Screw - Mach, rd hd, stainless steel, No. 8-32, 1-1/8 in. lg (Edison No. NA10266-18)								
		- - - * - - -								

Note: See page 11 for Application Code for this page.

Figure and Index No.	Part Number	Nomenclature							Units Per Assy.	Application Code
		1	2	3	4	5	6	7		
TWO-CIRCUIT FIRE DETECTOR CONTROL ASSEMBLIES (cont)										
5-74	NA20905	.	.	.	Mount - Shock, notched (altered from AN8008D0)	.	.	.	4	b
		Attaching Part								
-75	AN442A4-4	.	.	.	Rivet - Flat hd, A1, 1/8 dia x 1/4 in. lg (Edison No. NA13282)	.	.	.	16	b
		- - - * - - -								
-76	212-12	.	.	.	Receptacle - (CLC) (Edison No. NA13160)	.	.	.	2	b
		Attaching Part								
-77	AN426A3-4	.	.	.	Rivet - C'sink hd, 100°, A1, 3/32 dia x 1/4 in. lg (Edison No. NA13498-4)	.	.	.	4	b
		- - - * - - -								
-78	NA20920	.	.	.	Strap	.	.	.	2	b
-79	NA40256	.	.	.	Support Assy	.	.	.	1	b
-80	AN8008D0	.	.	.	Isolator - Vibration, A1 alloy metal parts, 1/2 lb (Edison No. NA13133)	.	.	.	4	b
		Attaching Part								
-81	AN442A4-4	.	.	.	Rivet - Flat hd, A1, 1/8 dia x 1/4 in. lg (Edison No. NA13282)	.	.	.	16	b
		- - - * - - -								
-82	C16926	.	.	.	Foot - Rubber	.	.	.	1	b
-83	NA21220	.	.	.	Bracket - Snubbing	.	.	.	1	b
		Attaching Part								
-84	AN442A4-4	.	.	.	Rivet - Flat hd, A1, 1/8 dia x 1/4 in. lg (Edison No. NA13282)	.	.	.	4	b
		- - - * - - -								
-85	NA20874	.	.	.	Arm--Support	.	.	.	2	b
		Attaching Part								
-86	AN442A4-4	.	.	.	Rivet - Flat hd, A1, 1/8 dia x 1/4 in. lg (Edison No. NA13282)	.	.	.	8	b
		- - - * - - -								
-87	NA20869	.	.	.	Arm - Bottom support	.	.	.	2	b
-88	NA45141	.	.	.	Mount Assy - Shock	.	.	.	2	c,d,f
-89	NA45143-1	.	.	.	Strap Assy	.	.	.	2	c,d,f
		Attaching Parts								
-90	AN340C8	.	.	.	Nut - Hex, stainless steel, No. 8-32 (Edison No. NA13462-8)	.	.	.	4	c,d,f
-91	AN935-8	.	.	.	Washer - Lock, helical, stainless steel, for No. 8 bolt (Edison No. NA13455-8)	.	.	.	4	c,d,f
-92	NA13159	.	.	.	Washer - Crash, A1, 15/16 OD, x .171 ID x 1/32 in. thick	.	.	.	4	c,d,f
-93	NA20907	.	.	.	Washer - Crash, slotted, A1	.	.	.	4	c,d,f
-94	AN515C8-18	.	.	.	Screw - Mach, rd hd, stainless steel, No. 8-32, 1-1/8 in. lg (Edison No. NA10266-18)	.	.	.	4	c,d,f
		- - - * - - -								
-95	NA20905	.	.	.	Mount - Shock, notched (Al- tered from AN8008D0)	.	.	.	4	c,d,f
		Attaching Part								
-96	AN442A4-4	.	.	.	Rivet - Flat hd, A1, 1/8 dia x 1/4 in. lg (Edison No. NA13282)	.	.	.	16	c,d,f
		- - - * - - -								
-97	212-12	.	.	.	Receptacle (CLC) (Edison No. NA13160)	.	.	.	2	c,d,f
		Attaching Part								
-98	AN426A3-4	.	.	.	Rivet - C'sink hd. 100°, A1, 3-32 dia x 1/4 in. lg (Edison No. NA13498-4)	.	.	.	4	c,d,f
		- - - * - - -								
-99	NA20920	.	.	.	Strap	.	.	.	2	c,d,f

Note: See page 11 for Application Code for this page.

Section II
Group Assembly Parts List

EO 40-95AA-4

Figure and Index No.	Part Number	Nomenclature							Units Per Assy	Application Code
		1	2	3	4	5	6	7		
TWO-CIRCUIT FIRE DETECTOR CONTROL ASSEMBLIES (cont)										
5-100	AN8008DO	4	c,d,f
-101	NA45142-1	1	e
-102	NA45143-1	2	e
		Attaching Parts								
-103	AN340C8	4	e
-104	AN935-8	4	e
-105	NA13159	4	e
-106	NA20907	4	e
-107	AN515C8-18	4	e
		-----*								
-108	NA20905	4	e
		Attaching Part								
-109	AN442A4-4	16	e
		-----*								
-110	212-12	2	e
		Attaching Part								
-111	AN426A3-4	4	e
		-----*								
-112	NA20920	2	e
-113	NA45144-2	1	e
-114	AN8008DO	4	e
		Attaching Part								
-115	AN442A4-4	16	e
		-----*								
-116	NA20918	1	e
-117	NA51036	1	g
-118	NA40238	2	g
		Attaching Parts								
-119	AN515C8-5	4	g
-120	AN935-8	4	g
		-----*								
-121	212-12	2	g
		Attaching Part								
-122	AN426A3-4	4	g
		-----*								
-123	NA21248	2	g
-124	770-0.5	4	g
		Attaching Parts								
-125	AN505C6-6	16	g

Note: See page 11 for Application Code for this page.

Figure and Index No.	Part Number	Nomenclature							Units Per Assy.	Application Code
		1	2	3	4	5	6	7		
TWO-CIRCUIT FIRE DETECTOR CONTROL ASSEMBLIES (cont)										
5-126	AN365-632	Nut - Self-locking, steel, No. 6-32 (Edison No. NA10265)	.	.	16	g
-127	NA21249	Plate - Base	.	.	1	g
Note: See page 11 for Application Code for above.										

Figure and Index No.	Part Number	Nomenclature							Units Per Assy.	Application Code
		1	2	3	4	5	6	7		
THREE-CIRCUIT FIRE DETECTOR CONTROL ASSEMBLY										
5A-1	34216-2	Control Assy - Fire detector, three- circuit	.	.	1	all
-2	No Number	Panel Assy	.	.	1	all
-3	NA40472	Cover Assy	.	.	1	all
Attaching Parts										
-4	NA13170	Screw - Cover	.	.	4	all
-5	AN935-8	Washer - Lock, helical, stainless steel, for No. 8 bolt (Edison No. NA13455-8)	.	.	4	all
-6	AN960D8	Washer - Plain A1, for No. 8 bolt (Edison No. NA13171)	.	.	4	all
-7	NA13152	Washer - Fiber, 5/16 OD x 9/64 ID x 1/32 in. thick	.	.	4	all
-9	NA20838	Spring	.	.	3	all
Attaching Part										
-10	AN430A4-3	Rivet - Rd hd, A1, 1/8 dia x 5/32 in. lg (Edison No. NA13219)	.	.	6	all
-11	NA20882	Cover - Mach	.	.	1	all
-12	33795-1	Relay - Sensitive (see figure 8 for breakdown)	.	.	3	all
-13	33862-1	Unit - Test, thermal	.	.	3	all
-14	34708-5	Chassis Assy	.	.	1	all
Attaching Parts										
-15	AN530-4-6	Screw - Sht metal, rd hd, steel, No. 4, 3/8 in. lg (Edison No. NA13161)	.	.	8	all
-16	AN515C6-5	Screw - Mach, rd hd, stainless steel, No. 6-32, 5/16 in. lg (Edison No. NA13489-5)	.	.	4	all
-17	AN3102-16S-1P	Receptacle - Connector, elec. box mtg. 7-pin (Edison No. NA13193)	.	.	1	all
-18	AN3102-16S-1P Position W	Receptacle - Connector, elec. box mtg. (Edison No. NA13220)	.	.	1	all
Attaching Part										
-19	A6935-16-41	Ring - Retainer, No. 16 (TIN) (Edison No. NA13195)	.	.	2	all
-20	F4D37	Relay - dpst (ALL) (Edison No. NA13197)	.	.	3	all
-20	***NA13271	Relay - dpst	.	.	3	all
Attaching Parts										
-21	AN515C4-3	Screw - Mach, rd hd, stainless steel, No. 4-40, 3/16 in. lg (Edison No. NA13487-3)	.	.	12	all
-22	NA13225	Washer - Lock, internal teeth, stainless steel for No. 4 bolt	.	.	12	all
-23	RC40BE391J	Resistor - 390 ohm, 2 Watt (Edison No. 13540-391)	.	.	3	all

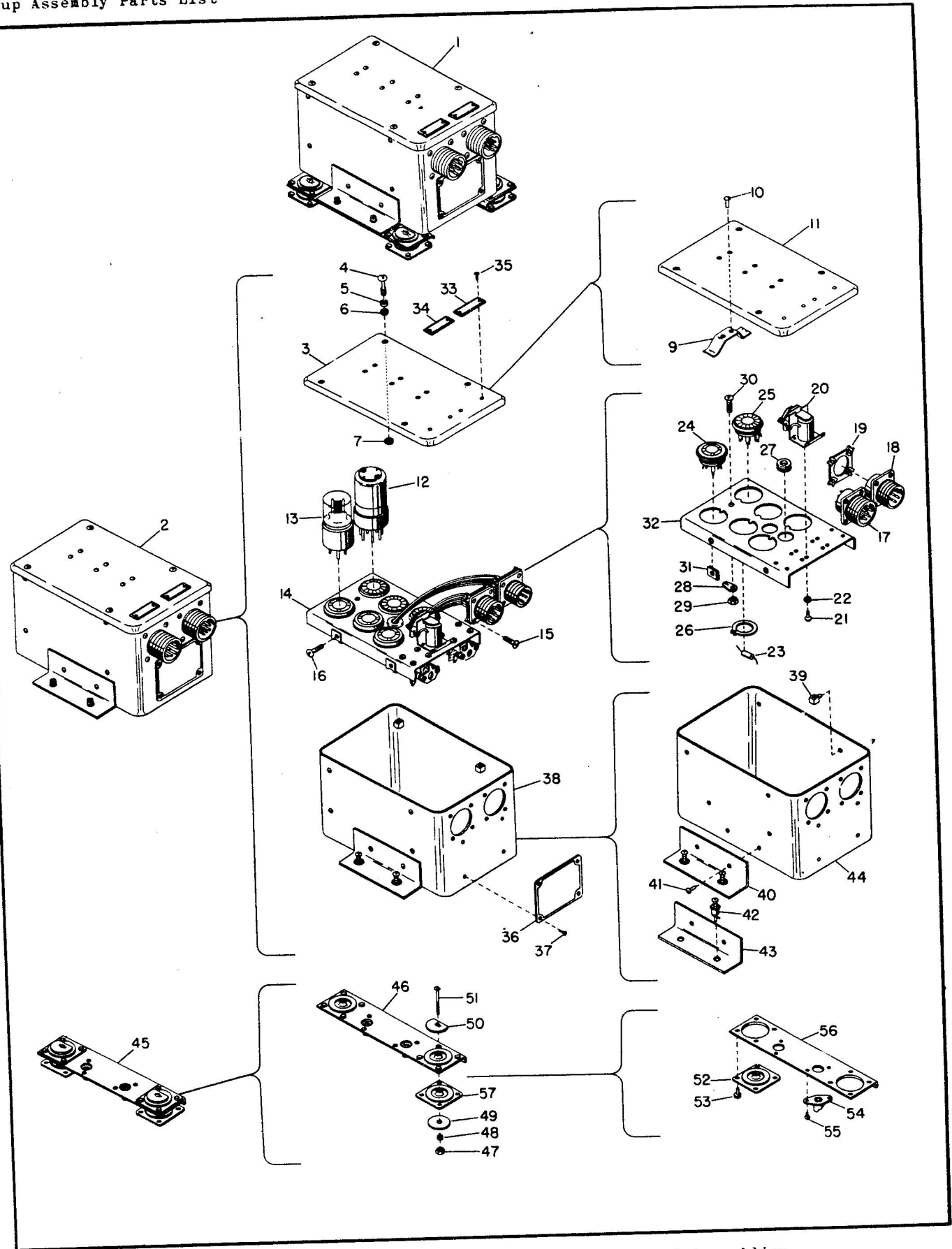


Figure 5A. Exploded View of Three-circuit Control Assemblies

Figure and Index No.	Part Number	Nomenclature							Units Per Assy.	Application Code
		1	2	3	4	5	6	7		
THREE-CIRCUIT FIRE DETECTOR CONTROL ASSEMBLY (cont)										
5A-23	**RC30BE391J	.	.	.	Resistor - 390 ohm, 1 watt (Edison No. NA13261)	.	.	6	all	
-24	78-S-4	.	.	.	Socket - 4-contact (AMP) (Edison No. NA13137)	.	.	3	all	
-25	78-S7S	.	.	.	Socket - 7-contact (AMP) (Edison No. NA13136)	.	.	3	all	
-26	5101-112	Attaching Part			.	.	.	Ring - Retaining (WKI) (Edison No. NA13427)	6	all
-27	AN930-1	.	.	.	Grommet - Elastic, 11/16 OD x 3/8 in. ID (Edison No. NA13279)	.	.	2	all	
-28	2102-8	.	.	.	Terminal - Locking, No. 8 bolt (SH) (Edison No. NA13182)	.	.	1	all	
-29	AN340C8	Attaching Parts			.	.	.	Nut - Hex, stainless steel, No. 8-32 (Edison No. NA13276)	1	all
-30	AN515C8-4	.	.	.	Screw - Mach, rd hd, stainless steel, No. 8-32, 1/4 in. lg (Edison No. NA10266-4)	.	.	1	all	
-31	C6452-632-051-24	.	.	.	Nut - Speed, U-type, Cd pl, No. 6-32 (TIN) (Edison No. NA13245)	.	.	4	all	
-32	NA20919	.	.	.	Chassis	.	.	1	all	
-33	NA13407	.	.	.	Nameplate - Alarm circuit	.	.	1	all	
-34	NA13405	.	.	.	Nameplate - Detector circuit	.	.	1	all	
-35	AN535-0-2	Attaching Part			.	.	.	Screw - Drive, stainless steel, No. 0, 1/8 in. lg (Edison No. NA13304-2)	4	all
-36	34232-49	.	.	.	Nameplate - Stamped	.	.	1	all	
-37	AN535-0-2	Attaching Part			.	.	.	Screw - Drive, stainless steel, No. 0, 1/8 in. lg (Edison No. NA13304-2)	4	all
-38	NA40473	.	.	.	Box Assy	.	.	1	all	
-39	NA20859	.	.	.	Plate - Nut, mach	.	.	4	all	
-40	NA40493	.	.	.	Angle Assy	.	.	2	all	
-41	AN442A4-4	Attaching Part			.	.	.	Rivet - Flat hd, A1, 1/8 dia x 1/4 in. lg (Edison No. NA13282)	4	all
-42	2600-4	.	.	.	Fastener - (CLC) (Edison No. NA13465-4)	.	.	4	all	
-43	NA20908	.	.	.	Angle	.	.	2	all	
-44	NA20884	.	.	.	Box - Mach	.	.	1	all	
-45	No Number	.	.	.	Mount Assy - Shock	.	.	1	all	
-46	NA45104-3	.	.	.	Strap Assy	.	.	2	all	
-47	AN340C8	Attaching Parts			.	.	.	Nut - Hex, stainless steel, No. 8-32 (Edison No. NA13462-8)	4	all
-48	AN935-8	.	.	.	Washer - Lock, helical, stainless steel, for No. 8 bolt (Edison No. NA13455-8)	.	.	4	all	
-49	NA13159	.	.	.	Washer - Crash, A1, 15/16 OD, .171 ID, 1/32 in. thick	.	.	4	all	
-50	NA20907	.	.	.	Washer - Crash, slotted, A1	.	.	4	all	
-51	AN515C8-18	.	.	.	Screw - Mach, rd hd, stainless steel, No. 8/32, 1-1/8 in. lg (Edison No. NA10266-18)	.	.	4	all	
-52	NA20905	.	.	.	Mount - Shock, notched (Altered from AN8008D0)	.	.	4	all	

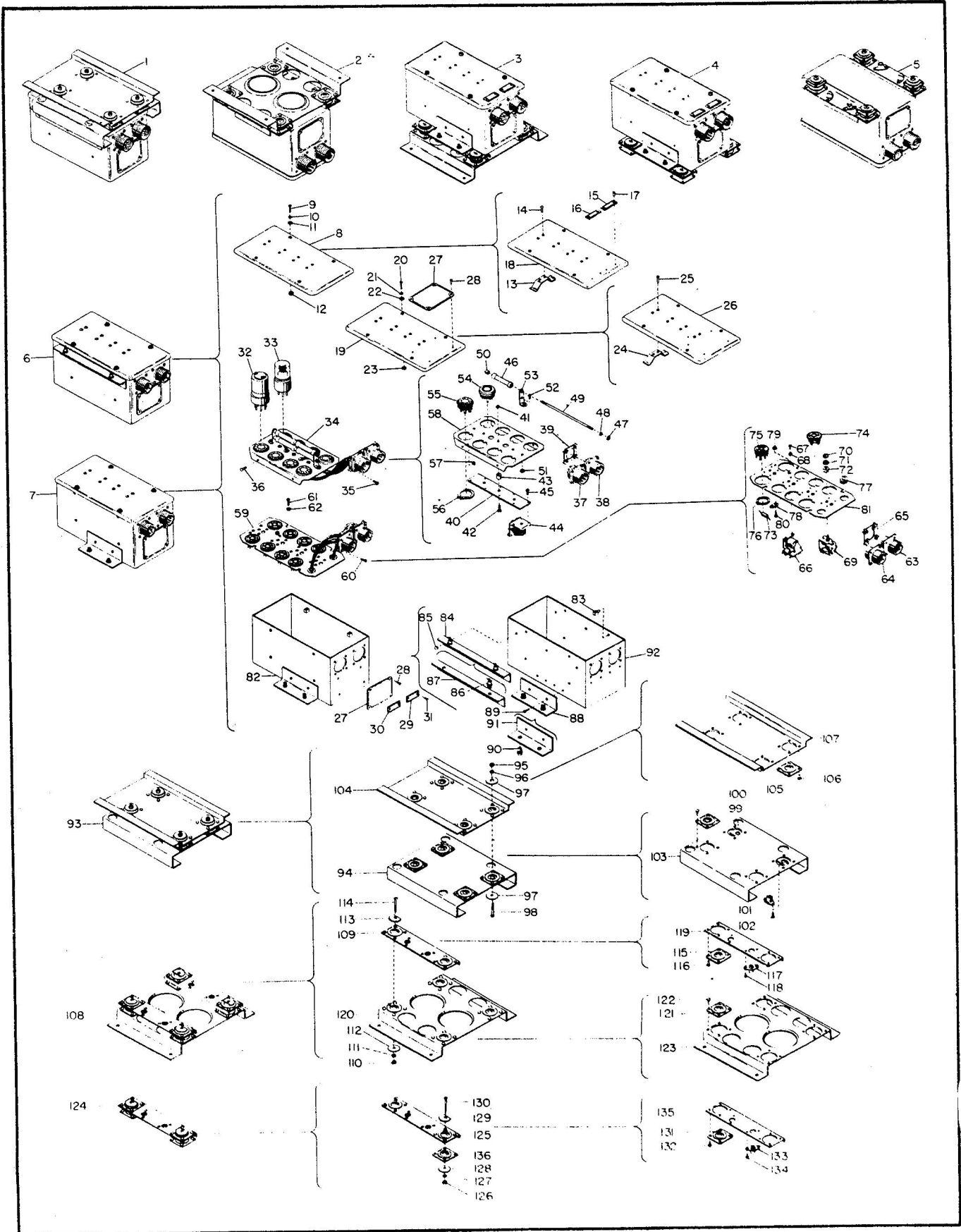


Figure 6. Exploded View of Four-circuit Control Assemblies

Figure and Index No.	Part Number	Nomenclature							Units Per Assy.	Application Code
		1	2	3	4	5	6	7		
THREE-CIRCUIT FIRE DETECTOR CONTROL ASSEMBLY (cont)										
		Attaching Part								
5A-53	AN430A4-4	.	.	.	Rivet - Rd hd, A1, 1/8 dia x 1/4 in. lg (Edison No. NA13162)	.	.	.	16	all
		- - - * - - -								
-54	212-12	.	.	.	Receptacle - (CLC) (Edison No. NA13160)	.	.	.	4	all
		Attaching Part								
-55	AN425A3-4	.	.	.	Rivet - C'sink hd, 78°, A1, 3/32 dia x 1/4 in. lg (Edison No. NA13380)	.	.	.	8	all
		- - - * - - -								
-56	NA20909	.	.	.	Strap	.	.	.	2	all
-57	AN8008D0	.	.	.	Isolator - Vibration, A1 alloy metal parts, 1/2 lb (Edison No. NA13133)	.	.	.	4	all

Note: See page 11 for application code for above.

Figure and Index No.	Part Number	Nomenclature							Units Per Assy.	Application Code
		1	2	3	4	5	6	7		
FOUR-CIRCUIT FIRE DETECTOR CONTROL ASSEMBLIES										
		Application Code				Major Assembly Part Number				
		a				33896				
		b				33896-2				
		c				34399				
		d				34399-2				
		e				34726-2				
		f				34726-4				
		g				34726				
		h				34726-6				
		i				34978				
		j				34978-2				
6-1	*33896				Control Assy - Fire detector, -four-circuit				NP	a
-1	33896-2				Control Assy - Fire detector, four-circuit				1	b
-2	34399				Control Assy - Fire detector, four-circuit				1	c
-2	34399-2				Control Assy - Fire detector, four-circuit				1	d
-3	34726-2				Control Assy - Fire detector, four-circuit				1	e
-3	34726-4				Control Assy - Fire detector, four-circuit				1	f
-4	34726				Control Assy - Fire detector, four-circuit				1	g
-4	34726-6				Control Assy - Fire detector, four-circuit				1	h
-5	34978				Control Assy - Fire detector, four-circuit				1	i
-5	34978-2				Control Assy - Fire detector, four-circuit				1	j
-6	*No Number	.	.	.	Panel Assy	.	.	.	NP	a
-6	NA45125	.	.	.	Panel Assy	.	.	.	1	b
-7	NA45128-2	.	.	.	Panel Assy	.	.	.	1	c, e, g
-7	NA45118-2	.	.	.	Panel Assy	.	.	.	1	d
-7	NA45108	.	.	.	Panel Assy	.	.	.	1	f, h
-7	NA45154-2	.	.	.	Panel Assy	.	.	.	1	i
-7	NA45150	.	.	.	Panel Assy	.	.	.	1	j
-8	NA45208	.	.	.	Cover Assy	.	.	.	1	all
		Attaching Parts								
-9	NA13170	.	.	.	Screw - Cover	.	.	.	4	all

Section II
Group Assembly Parts List

EO 40-95AA-4

Figure and Index No.	Part Number	Nomenclature							Units Per Assy.	Application Code
		1	2	3	4	5	6	7		
FOUR-CIRCUIT FIRE DETECTOR CONTROL ASSEMBLIES (cont)										
6-10	AN935-8	.	.	.	Washer - Lock, helical, stainless steel, for No. 8 bolt (Edison No. NA13455-8)	.	.	.	4	all
-11	AN960D8	.	.	.	Washer - Plain, A1, for No. 8 bolt (Edison No. NA13171)	.	.	.	4	all
-12	NA13152	.	.	.	Washer - Fiber, 5/16 OD x 9/64 ID x 1/32 in. thick	.	.	.	4	all
-13	NA20838	---	*	---	Spring	.	.	.	4	all
-14	AN430A4-3	.	.	.	Rivet - Rd hd, A1, 1/8 dia x 5/32 in. lg (Edison No. NA13219)	.	.	.	8	all
-15	NA13407	.	.	.	Nameplate - Alarm	.	.	.	1	all
-16	NA13405	.	.	.	Nameplate - Detector	.	.	.	1	all
-17	AN442A2-3	.	.	.	Rivet - Flat head, A1, 1/16 dia x 3/16 in. lg (Edison No. NA13284)	.	.	.	4	all
-18	NA21335	.	.	.	Cover - Mach	.	.	.	1	all
-19	**NA40443	.	.	.	Cover Assy (drilled for mounting nameplate NA13395-0)	.	.	.	NP	a
-19	**NA45105	.	.	.	Cover Assy (drilled for mounting nameplate NA13395-0)	.	.	.	1	b,c,d,e,f, g,h,i,j
Attaching Parts										
-20	NA13170	.	.	.	Screw - Cover	.	.	.	4	all
-21	NA13134	.	.	.	Washer - Lock, helical, steel, Cd pl, for No. 8 bolt	.	.	.	4	a
-21	AN935-8	.	.	.	Washer - Lock, helical, stainless steel, for No. 8 bolt (Edison No. NA13455-8)	.	.	.	4	b,c,d,e,f, g,h,i,j
-22	AN960D8	.	.	.	Washer - Plain, A1, for No. 8 bolt (Edison No. NA13171)	.	.	.	4	all
-23	NA13152	.	.	.	Washer - Fiber, 5/16 OD x 9/64 ID x 1/32 in. thick	.	.	.	4	all
-24	NA20838	---	*	---	Spring	.	.	.	4	all
-25	AN430A4-3	.	.	.	Rivet - Rd hd, A1, 1/8 dia x 5/32 in. lg (Edison No. NA13219)	.	.	.	8	all
-26	*NA20849	.	.	.	Cover - Mach	.	.	.	NP	a
-26	NA20923	.	.	.	Cover - Mach	.	.	.	1	b,c,d,e,f, g,h,i,j
-27	NA13395-0	.	.	.	Nameplate - Blank	.	.	.	1	all
Attaching Parts										
-28	AN535-0-2	.	.	.	Screw - Drive, stainless steel, No. 0, 1/8 in. lg (Edison No. NA13304-2)	.	.	.	4	all
-28	**AN442A2-3	.	.	.	Rivet - Flat hd, A1, 1/16 dia x 3/16 in. lg (Edison No. NA13284) (Used with cover assy NA40443 or NA45105)	.	.	.	4	all
-29	**NA13407	.	.	.	Nameplate - Alarm circuit (Used on box with cover assy NA40443 or NA45105)	.	.	.	1	all
-30	**NA13405	.	.	.	Nameplate - Detector circuit (Used on box with cover assy NA40443 or NA45105)	.	.	.	1	all
Attaching Part										
-31	**AN442A2-3	.	.	.	Rivet - Flat hd, A1, 1/16 dia x 3/16 in. lg (Edison No. NA13284)	.	.	.	4	all

Note: See page 21 for application code for this page.

Figure and Index No.	Part Number	Nomenclature							Units Per Assy.	Application Code
		1	2	3	4	5	6	7		
FOUR-CIRCUIT FIRE DETECTOR CONTROL ASSEMBLIES (cont)										
6-32	33795-1	.	.	.	Relay - Sensitive (see figure 8 for breakdown)	.	.	.	4	all
-33	33862-1	.	.	.	Unit - Test, thermal	.	.	.	4	all
-34	*NA40446	.	.	.	Chassis Assy	.	.	.	NP	a
Attaching Parts										
-35	AN530-4-6	.	.	.	Screw - Sht metal, rd hd, steel, No. 4, 3/8 in. lg (Edison No. NA13161)	.	.	.	8	a
-36	AN515B6-5	.	.	.	Screw - Mach, rd hd, brs, No. 6-32, 5/16 in. lg (Edison No. NA13141)	.	.	.	4	a
-37	AN3102-18-8P	.	.	.	Receptacle - Connector, elec, box mtg, 8-pin (Edison No. NA13166)	.	.	.	1	a
-38	AN3102-18-9P	.	.	.	Receptacle - Connector, elec, box mtg, 7-pin (Edison No. NA13167)	.	.	.	1	a
Attaching Part										
-39	A6935-18-41	.	.	.	Ring - Retainer, No. 18 (TIN) (Edison No. NA13164)	.	.	.	2	a
-40	NA13157	.	.	.	Insulator	.	.	.	1	a
Attaching Parts										
-41	68TM62	.	.	.	Nut - Stop, hex, A1, No. 6-32 (EN) (Edison No. NA13154)	.	.	.	3	a
-42	AN515B6-10	.	.	.	Screw - Mach, rd hd, brs No. 6-32, 5/8 in. lg (Edison No. NA13174)	.	.	.	3	a
-43	NA20835	.	.	.	Spacer	.	.	.	3	a
-44	10261	.	.	.	Relay - spdt (ALL) (Edison No. NA13175)	.	.	.	4	a
Attaching Part										
-45	AN515B4-3	.	.	.	Screw - Mach, rd hd, brs. No. 4-40, 3/16 in. lg (Edison No. NA13176)	.	.	.	8	a
-46	NA13135	.	.	.	Resistor - 200 ± 20 ohm, 10 watt	.	.	.	4	a
Attaching Parts										
-47	AN340-8	.	.	.	Nut - Hex, steel, No. 8-32 (Edison No. NA13196-8)	.	.	.	4	a
-48	NA13134	.	.	.	Washer - Lock, helical, steel, Cd pl, for No. 8 bolt	.	.	.	4	a
-49	NA20861	.	.	.	Screw - Mounting, resistor	.	.	.	2	a
-50	NA20860	.	.	.	Spacer	.	.	.	6	a
-51	68TM62	.	.	.	Nut - Stop, hex, A1, No. 6-32 (EN) (Edison No. NA13154)	.	.	.	2	a
-52	AN515B6-5	.	.	.	Screw - Mach, rd hd, brs, No. 6-32, 5/16 in. lg (Edison No. NA13141)	.	.	.	2	a
-53	NA20836	.	.	.	Bracket - Mounting	.	.	.	2	a
-54	78-S-4	.	.	.	Socket - 4-contact (AMP) (Edison No. NA13137)	.	.	.	4	a
-55	78-S7S	.	.	.	Socket - 7-contact (AMP) (Edison No. NA13136)	.	.	.	4	a
Attaching Part										
-56	5101-112	.	.	.	Ring - Retaining (WKI) (Edison No. NA13427)	.	.	.	8	a
-57	68C2-62	.	.	.	Nut - Clinch, A1, No. 6-32 (EN) (Edison No. NA13163)	.	.	.	4	a
-58	NA20881	.	.	.	Panel	.	.	.	1	a
-59	NA45119	.	.	.	Chassis Assy	.	.	.	1	b
-59	NA45126-1	.	.	.	Chassis Assy	.	.	.	1	c,e,g
-59	NA45116	.	.	.	Chassis Assy	.	.	.	1	d
-59	NA45107	.	.	.	Chassis Assy	.	.	.	1	f,h

Note: See page 21 for application code for this page.

Section II
Group Assembly Parts List

EO 40-95AA-4

Figure and Index No.	Part Number	Nomenclature							Units Per Assy.	Application Code
		1	2	3	4	5	6	7		
FOUR-CIRCUIT FIRE DETECTOR CONTROL ASSEMBLIES (cont)										
6-59	NA45168	1	i
-59	NA45169	1	j
Attaching Parts										
-60	AN530-4-6	8	b,c,d,e,f, g,h,i,j
-61	AN515C8-8	4	b,c,d,e,f, g,h,i,j
-62	AN936B8	4	b,c,d,e,f, g,h,i,j
- - - * - - -										
-63	AN3102-18-8P	1	b,c,e,f,g, h,i,j
-63	AN3102-18-8P Position Z	1	d
-64	AN3102-18-9P	1	b
-64	AN3102-18-8P Position W	1	c,d,e,g,i,j
-64	AN3102-18-1P	1	f,h
Attaching Part										
-65	A6935-18-41	1	b,c,d,e,f, g,h,i,j
- - - * - - -										
-66	1122	4	b,c,d,e,f, g,h,i,j
Attaching Part										
-67	AN515C4-3	8	b,c,d,e,f, g,h,i,j
-68	NA13225	8	b,c,d,e,f, g,h,i,j
- - - * - - -										
-69	**K1605-Spec 1116	4	b,c,d,e,f, g,h,i,j
Attaching Parts										
-70	**com1	4	b,c,d,e,f, g,h,i,j
-71	**AN935-6	4	b,c,d,e,f, g,h,i,j
-72	**NA20989	4	b,c,d,e,f, g,h,i,j
- - - * - - -										
-73	RC40BE391J	4	b,c,d,e,f, g,h,i,j
-73	**RC30BE391J	8	b,c,d,e,f, g,h,i,j

Note: See page 21 for application code for this page.

Figure and Index No.	Part Number	Nomenclature							Units Per Assy.	Application Code
		1	2	3	4	5	6	7		
FOUR-CIRCUIT FIRE DETECTOR CONTROL ASSEMBLIES (cont)										
6-74	78-S-4	.	.	.	Socket - 4-contact (AMP) (Edison No. NA13137)			4	b,c,d,e,f, g,h,i,j	
-75	78-S7S	.	.	.	Socket - 7-contact (AMP) (Edison No. NA13136)			4	b,c,d,e,f, g,h,i,j	
-76	5101-112	Attaching Part		.	.	.	Ring - Retaining (WKI) (Edison No. NA13427)	8	b,c,d,e,f, g,h,i,j	
-77	AN931-10-14	-----*		.	.	.	Grommet - Elastic, 7/8 OD, 5/8 in. ID (Edison No. NA13277)	2	b,c,d,e,f, g,h,i,j	
-78	2102-8	.	.	.	Terminal - Locking, No. 8 (SH) (Edison No. NA13182)			1	b,c,d,e,f, g,h,i,j	
-79	AN340C8	Attaching Parts		.	.	.	Nut - Hex, stainless steel, No. 8-32 (Edison No. NA13462-8)	1	b,c,d,e,f, g,h,i,j	
-80	AN515C8-4	.	.	.	Screw - Mach, rd hd, stainless steel, No. 8-32 1/2 in. lg (Edison No. NA10266-4)			1	b,c,d,e,f, g,h,i,j	
-81	NA20921	-----*		.	.	.	Chassis	1	b,c,d,e,f, g,h,i,j	
-82	NA40440	.	.	Box Assy (Must be redrilled for nameplates NA13407 and NA13405 if used with cover assy NA40443 or NA45105)			1	a		
-82	NA40440-2	.	.	Box Assy (Must be redrilled for nameplate NA13407 and NA13405 if used with cover assy NA40443 or NA45105)			1	b		
-82	NA45110-3	.	.	Box Assy - (Must be redrilled for nameplates NA13407 and NA13405 if used with cover assy NA40443 or NA45105)			1	c,d,e,f,g, h,i,j		
-83	NA20859	.	.	.	Plate - Nut, mach			4 8	a b,c,d,e,f, g,h,i,j	
-84	NA40452	.	.	.	Angle Assy			2	a,b	
-85	AN442A4-4	Attaching Part		.	.	.	Rivet - Flat hd, A1, 1/8 dia x 1/4 in. lg (Edison No. NA13282)	6	a,b	
-86	2600-4	-----*		.	.	.	Fastener (CLC) (Edison No. NA13465-4)	4	a,b	
-87	NA20837	.	.	.	Angle			2	a,b	
-88	NA40493	.	.	.	Angle Assy			2	c,d,e,f,g, h,i,j	
-89	AN430A4-4	Attaching Part		.	.	.	Rivet - Rd hd, A1, 1/8 dia x 1/4 in. lg (Edison No. NA13182)	4	c,d,e,f,g, h,i,j	
-90	2600-4	-----*		.	.	.	Fastener (CLC) (Edison No. NA13465-4)	4	c,d,e,f,g, h,i,j	
-91	NA20808	.	.	.	Angle			2	c,d,e,f,g, h,i,j	

Note: See page 21 for application code for this page.

Figure and Index No.	Part Number	Nomenclature							Units Per Assy.	Application Code
		1	2	3	4	5	6	7		
FOUR-CIRCUIT FIRE DETECTOR CONTROL ASSEMBLIES (cont)										
6-92	NA20805	.	.	.	Box - Mach (Must be redrilled for nameplates NA13407 and NA13405 if used with cover assy NA10443 or NA45105)				1	a
-92	NA20977	.	.	.	Box - Mach (Must be redrilled for nameplates NA13407 and NA13405 if used with cover assy NA40443 or NA45105)				1	b
-92	NA21082-1	.	.	.	Box - Mach (Must be redrilled for nameplates NA13407 and NA13405 if used with cover assy NA40443 or NA45105)				1	c,d,e,f,g,h,i,j
-93	NA50093	.	.	.	Mount Assy - Shock				1	a,b
-94	NA40441	.	.	.	Bracket Assy.				1	a,b
Attaching Parts										
-95	AN340C8	.	.	.	Nut - Hex, stainless steel, No. 8-32 (Edison No. NA13462-8)				4	a,b
-96	AN935-8	.	.	.	Washer - Lock, helical, stainless steel, for No. 8 bolt (Edison No. NA13455-8)				4	a,b
-97	NA13159	.	.	.	Washer - Crash, A1, 15-16 OD, .171 ID, 1/32 in. thick				8	a,b
-98	AN515C8-18	.	.	.	Screw - Mach, rd hd, stainless steel, No. 8-32, 1-1/8 in. lg (Edison No. NA10266-18)				4	a,b
* * *										
-99	AN8008D0	.	.	.	Isolator - Vibration, A1 alloy metal parts, 1/2 lb (Edison No. NA13133)				4	a,b
Attaching Part										
-100	AN442A4-4	.	.	.	Rivet - Flat hd, A1, 1/8 dia x 1/4 in. lg (Edison No. NA13282)				16	a,b
* * *										
-101	212-12	.	.	.	Receptacle - (CLC) (Edison No. NA13160)				4	a,b
Attaching Part										
-102	CR116-3-4	.	.	.	Rivet - C'sink, 100°, A1. (CY) (Edison No. NA13415)				8	a,b
* * *										
-103	NA20957	.	.	.	Bracket				1	a,b
-104	NA40442	.	.	.	Base Assy				1	a,b
-105	AN8008D-1	.	.	.	Isolator - Vibration, sq plate, A1 alloy, size 1, 1 lb (Edison No. NA13150)				4	a,b
Attaching Part										
-106	AN412A4-4	.	.	.	Rivet - Flat hd, A1, 1/8 dia x 1/4 in. lg (Edison No. NA13282)				16	a,b
* * *										
-107	NA20598	.	.	.	Base				1	a,b
-108	NA50095-2	.	.	.	Mount Assy - Shock				1	c,d
-108	NA50095-1	.	.	.	Mount Assy - Shock				1	e,f
-109	NA45104-4	.	.	.	Strap Assy				2	c,d
-109	NA45104-3	.	.	.	Strap Assy				2	e,f
Attaching Parts										
-110	AN340C8	.	.	.	Nut - Hex, stainless steel, No. 8-32 (Edison No. NA13462-8)				4	c,d,e,f
-111	AN935-8	.	.	.	Washer - Lock, helical, stainless steel, for No. 8 bolt (Edison No. NA13455-8)				4	c,d,e,f
-112	NA13159	.	.	.	Washer - Crash, A1, 15-16 OD, .171 ID, 1/32 in. thick				4	c,d,e,f
-113	NA20907	.	.	.	Washer - Crash, slotted, A1				4	c,d,e,f

Note: See page 21 for application code for this page.

Figure and Index No.	Part Number	Nomenclature							Units Per Assy.	Application Code
		1	2	3	4	5	6	7		
FOUR-CIRCUIT FIRE DETECTOR CONTROL ASSEMBLIES (cont)										
6-114	AN515C8-18	Screw - Mach, rd hd, stainless steel, No. 8-32, 1-1/8 in. lg (Edison No. NA10266-18)	.	4	c,d,e,f	
-115	NA20906	Mount - Shock, notched (Altered from AN8008D0)	.	4	c,d	
-115	NA20905	Mount - Shock, notched (Altered from AN8008D0)	.	4	e,f	
-116	AN430A4-4	Attaching Part			.	.	Rivet - Rd hd, Al, 1/8 dia x 1/4 in. lg (Edison No. NA13162)	16	c,d,e,f	
-117	212-12	Receptacle (CLC) (Edison No. NA13160)	.	4	c,d,e,f	
-118	AN425A3-4	Attaching Part			.	.	Rivet - C'sink hd, 78°, Al, 3/32 dia x 1/4 in. lg. (Edison No. NA13380)	8	c,d,e,f	
-119	NA20909	Strap	2	c,d,e,f		
-120	NA50091	Base Assy	1	c,d,e,f		
-121	AN8008D-1	Isolator - Vibration, sq plate, Al alloy, size 1, 1 lb (Edison No. NA13150)	4	c,d,e,f		
-122	AN442A4-4	Attaching Part			.	.	Rivet - Flat hd, Al, 1/8 dia x 1/4 in. lg (Edison No. NA13282)	16	c,d,e,f	
-123	NA20924	Base	1	c,d,e,f		
-124	NA50092-1	Mount Assy - Shock	2	g,h		
-124	NA50092-2	Mount Assy - Shock	2	i,j		
-125	NA45104-3	Strap Assy	2	g,h		
-125	NA45104-4	Strap Assy	2	i,j		
-126	AN340C8	Attaching Parts			.	.	Nut - Hex, stainless steel, No. 8-32 (Edison No. NA13462-8)	4	g,h,i,j	
-127	AN935-8	Washer - Lock, helical, stainless steel, for No. 8 bolt (Edison No. NA13455-8)	4	g,h,i,j		
-128	NA13159	Washer - Crash, Al, 15/16 OD. ID, 1/32 in. thick	4	g,h,i,j		
-129	NA20907	Washer - Crash, slotted, Al	4	g,h,i,j		
-130	AN515C8-18	Screw - Mach, rd hd, stainless steel, No. 8-32, 1-1/8 in. lg (Edison No. NA10266-18)	4	g,h,i,j		
-131	NA20905	Mount - Shock, notched (Altered from AN8008D0)	4	g,h		
-131	NA20906	Mount - Shock, notched (Altered from AN8008D0)	4	i,j		
-132	AN430A4-4	Attaching Part			.	.	Rivet - Rd hd, Al, 1/8 dia x 1/4 in. lg (Edison No. NA13162)	16	g,h,i,j	
-133	212-12	Receptacle (CLC) (Edison No. NA13160)	4	g,h,i,j		
-134	AN425A3-4	Attaching Part			.	.	Rivet - C'sink hd, 78°, Al, 3/32 dia x 1/4 in. lg (Edison No. NA13380)	8	g,h,i,j	
-135	NA20909	Strap	2	g,h,i,j		
-136	AN8008D-1	Isolator - Vibration, Al alloy metal parts, 1 lb (Edison No. NA13150)	4	g,h,i,j		

Note: See page 21 for application code for this page.

Figure and Index No.	Part Number	Nomenclature							Units Per Assy	Application Code		
		1	2	3	4	5	6	7				
SIX-CIRCUIT FIRE DETECTOR CONTROL ASSEMBLIES												
		Application Code		Major Assembly Part Number								
		a								34958		
		b								35213		
7-1	34958									Control Assy - Fire detector, six-circuit	1	a
-2	35213									Control Assy - Fire detector, six-circuit	1	b
-3	NA51032									Panel Assy	1	all
-4	NA45148									Cover Assy	1	all
										Attaching Parts		
-5	NA13170									Screw - Cover	4	all
-6	NA13455-8									Washer - Lock, helical, stainless steel, for No. 8 bolt	4	all
-7	AN960D8									Washer - Plain, Al, for No. 8 bolt (Edison No. NA13171)	4	all
-8	NA13152									Washer - Fiber, 5/16 OD, x 9/64 ID x 1/32 in. thick	4	all
										-----*		
-9	NA20838									Spring	6	all
										Attaching Part		
-10	AN430A4-3									Rivet - Rd hd, Al, 1/8 dia x 5/32 in. lg (Edison No. NA13219)	12	all
										-----*		
-11	NA20986									Cover - Mach	1	all
-12	33795-1									Relay - Sensitive (see figure 8 for breakdown)	6	all
-13	33862-1									Unit - Test, thermal	6	all
-14	NA45085									Chassis Assy	1	all
										Attaching Parts		
-15	AN530-4-6									Screw - Sht metal, rd hd, steel, No. 4, 3/8 in. lg (Edison No. NA13161)	8	all
-16	AN515C8-8									Screw - Mach, rd hd, stainless steel, No. 8-32, 1/2 in. lg (Edison No. NA10266-8)	4	all
-17	AN936B8									Washer - Lock, ext teeth, steel, for No. 8 bolt (Edison No. NA10448-8)	4	all
										-----*		
-18	AN3102-18-1P									Receptacle - Connector, elec, box mtg, 10-contact (Edison No. NA13269)	1	all
										Attaching Part		
-19	A6935-18-41									Ring - Retainer, No. 18 (TIN) (Edison No. NA13164)	1	all
										-----*		
-20	AN3102-20-27P									Receptacle - Connector, elec, box mtg, 14-contact (Edison No. NA13214)	1	all
										Attaching Part		
-21	A6935-20-41									Ring - Retainer, No. 20 (TIN) (Edison No. NA13213)	1	all
										-----*		
-22	K1605 Spec 116									Relay - Dpst (ADE) (Edison No. NA13346)	6	all
										Attaching Parts		
-23	com1									Nut - Hex, 6-32 (Supplied with relay No. K1605)	6	all
-24	AN935-6									Washer - Lock, helical, stainless steel, for No. 6 bolt (Edison No. NA13104)	6	all
-25	NA20989									Washer - Spacer	6	all
										-----*		
-26	RC30BE391J									Resistor - 390 ohm, 1 watt (Edison No. NA13261)	12	all
-27	78-S7S									Socket - 7-contact (AMP) (Edison No. NA13136)	6	all

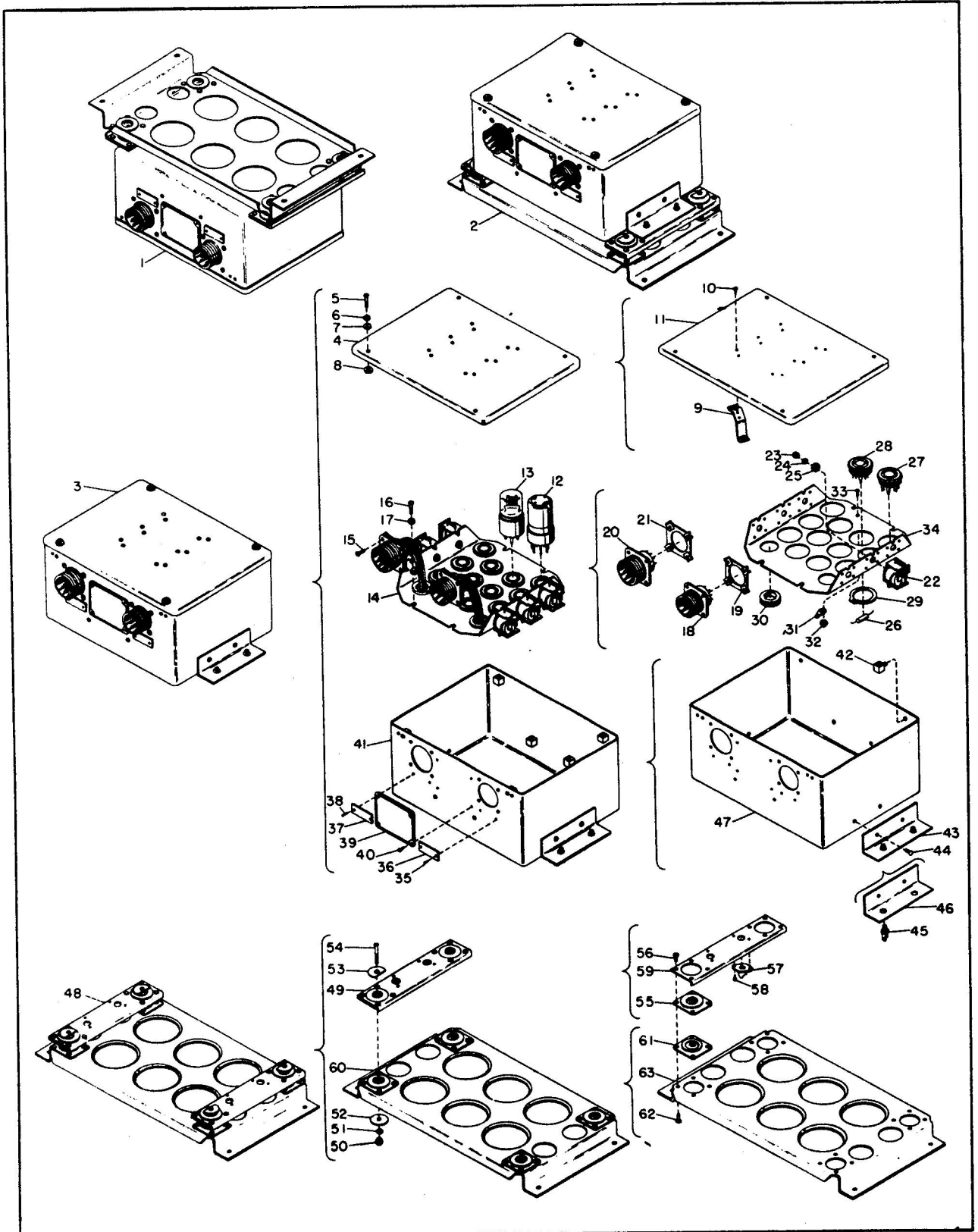


Figure 7. Exploded View of Six-circuit Control Assemblies.

Section II
Group Assembly Parts List

EO 40-95AA-4

Figure and Index No.	Part Number	Nomenclature							Units Per Assy	Application Code
		1	2	3	4	5	6	7		
SIX-CIRCUIT FIRE DETECTOR CONTROL ASSEMBLIES (cont)										
7-28	78-S-J	Socket - 4-contact (AMP) (Edison No. NA13137)	.	.	6	all
		Attaching Part								
-29	5101-112	Ring - Retaining (WKI) (Edison No. NA13427)	.	.	12	all
		- - - * - - -								
-30	AN930-1	Grommet - Elastic, 11/16 OD x 3/8 in. ID (Edison No. NA13279)	.	.	2	all
-31	2102-6	Terminal - Locking, No. 6 (SH) (Edison No. NA13342)	.	.	1	all
		Attaching Parts								
-32	AN364D632	Nut - Hex, self-locking, Al, No. 6-32 (Edison No. NA13154)	.	.	1	all
-33	AN515C6-5	Screw - Mach, rd hd, stainless steel, No. 6-32, 5/16 in. lg (Edison No. NA13489-5)	.	.	1	all
		- - - * - - -								
-34	NA20988	Chassis	.	.	1	all
-35	NA13407	Nameplate - Alarm	.	.	1	all
		Attaching Part								
-36	AN442A2-3	Rivet - Flat hd, Al, 1/16 dia x 3/16 in. lg (Edison No. NA13284)	.	.	2	all
		- - - * - - -								
-37	NA13405	Nameplate - Detector	.	.	1	all
		Attaching Part								
-38	AN442A2-3	Rivet - Flat hd, Al, 1/16 dia x 3/16 in. lg (Edison No. NA13284)	.	.	2	all
		- - - * - - -								
-39	NA13395-0	Nameplate - Blank	.	.	1	all
		Attaching Part								
-40	AN535-0-2	Screw - Drive, stainless steel, No. 0, 1/8 in. lg (Edison No. NA13304-2)	.	.	4	all
		- - - * - - -								
-41	NA45149	Box Assy	.	.	1	all
-42	NA20947	Plate - Nut, mach	.	.	8	all
-43	NA40493	Angle Assy	.	.	2	all
		Attaching Part								
-44	AN430A4-4	Rivet - Rd hd, Al, 1/8 dia x 1/4 in. lg (Edison No. NA13162)	.	.	4	all
		- - - * - - -								
-45	2500-E5	Fastener (CLC) (Edison No. NA13158)	.	.	4	all
-46	NA20908	Angle	.	.	2	all
-47	NA21068	Box - Mach	.	.	1	all
-48	NA45086-1	Mount Assy - Shock	.	.	1	a
-48	NA45086-2	Mount Assy - Shock	.	.	1	b
-49	NA45104-2	Strap Assy	.	.	2	a
-49	NA45104-1	Strap Assy	.	.	2	b
		Attaching Parts								
-50	AN340C8	Nut - Hex, stainless steel, No. 8-32 (Edison No. NA13462-8)	.	.	4	all
-51	NA13455-8	Washer - Lock, helical, stainless steel, for No. 8 bolt	.	.	4	all
-52	NA13159	Washer - Crash, 15/16 OD x .171 ID x 1/32 in. thick	.	.	4	all
-53	NA20907	Washer - Crash, slotted, Al	.	.	4	all
-54	AN515C8-18	Screw - Mach, rd hd, stainless steel, No. 8-32, 1-1/8 in. lg (Edison No. NA10266-18)	.	.	4	all
		- - - * - - -								
-55	NA20903	Mount - Shock, notched, (Al- tered from AN8008D-1)	.	.	4	all

Note: See page 23 for application code for this page.

Figure and Index No.	Part Number	Nomenclature							Units Per Assy	Application Code
		1	2	3	4	5	6	7		
SIX-CIRCUIT FIRE DETECTOR CONTROL ASSEMBLIES (cont)										
7-56	AN430A4-4	Attaching Part . . . Rivet - Rd hd, Al, 1/8 dia x 1/4 in. lg (Edison No. NA13162)							16	all
-57	212-12	- - - * - - - . . . Receptacle - (CLC) (Edison No. NA13160)							4	all
-58	AN425A3-4	Attaching Part . . . Rivet - C'sink hd, 78°, Al; 3/32 dia x 1/4 in. lg (Edison No. NA13380)							8	all
-59	NA20909	- - - * - - - . . . Strap							2	all
-60	NA45151-1	. . . Base Assy							1	a
-60	NA45151-2	. . . Base Assy							1	b
-61	AN8008D-1	. . . Isolator - Vibration, Al alloy metal parts, 1 lb (Edison No. NA13150)							4	all
-62	AN430A4-4	Attaching Part . . . Rivet - Rd hd, Al, 1/8 dia x 1/4 in. lg (Edison No. NA13162)							16	all
-63	NA20911	- - - * - - - . . . Base							1	all

Note: See page 23 for application code for this page.

Section II
Group Assembly Parts List

EO 40-95AA-4

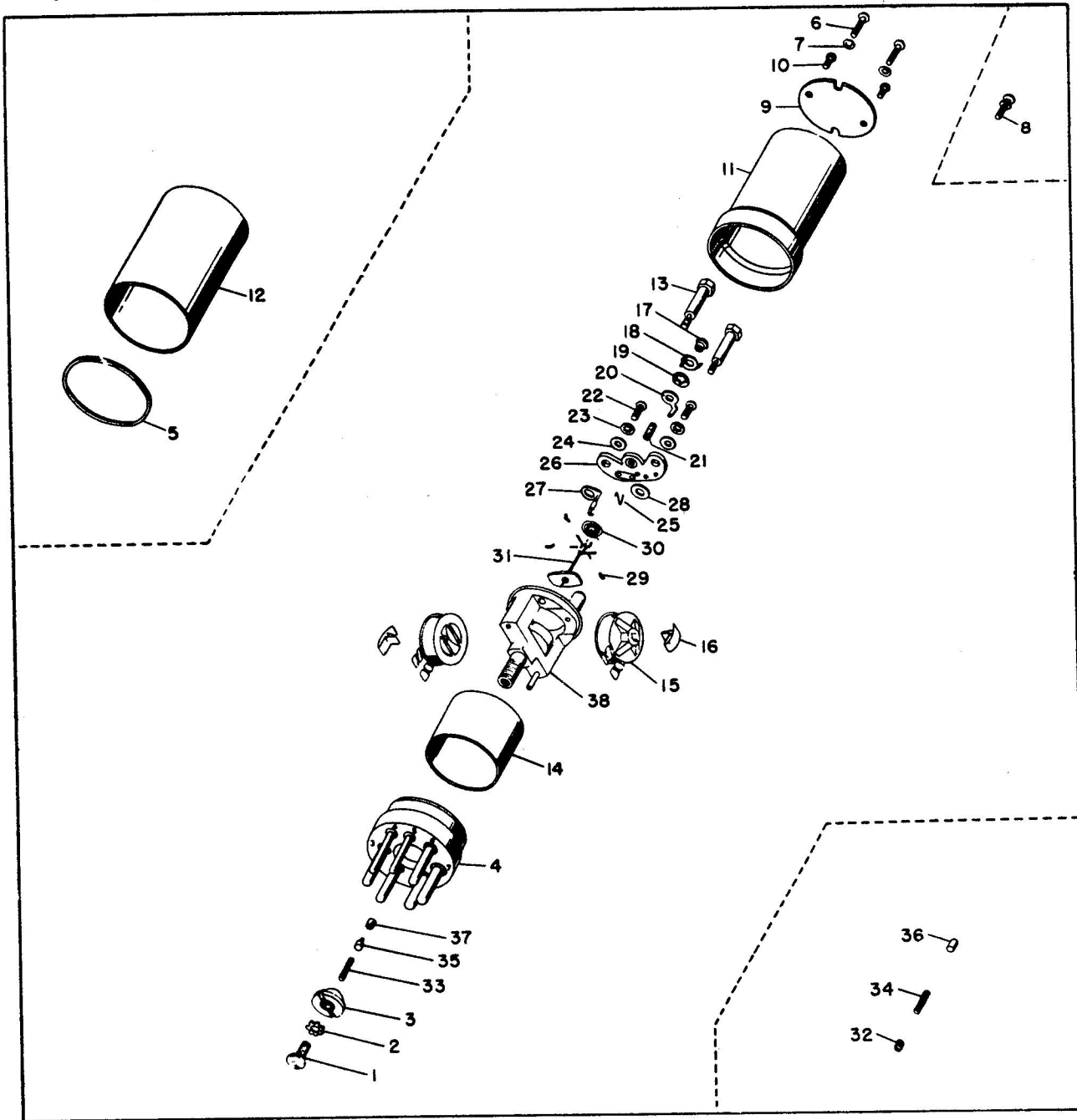


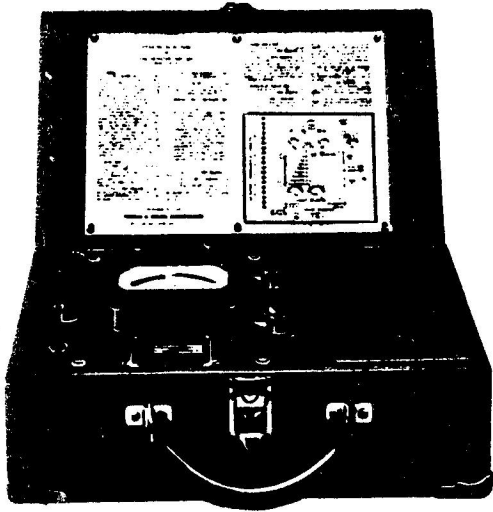
Figure 8. Exploded View of Sensitive Relay.

Figure and Index No.	Part Number	Nomenclature							Units Per Assy	Application Code
		1	2	3	4	5	6	7		
SENSITIVE RELAY										
8-	33795-1	Relay - Sensitive (See figures 4-5, 5-13, 6-11 and 7-8)							Ref	all
-1	NA20839	. Screw - Mach, binder hd, brs, No. 5-44, 1/4 in. lg							1	all
-2	NA13146	. Washer - Lock, ext teeth, phosphor bronze, for No. 5 boit							1	all

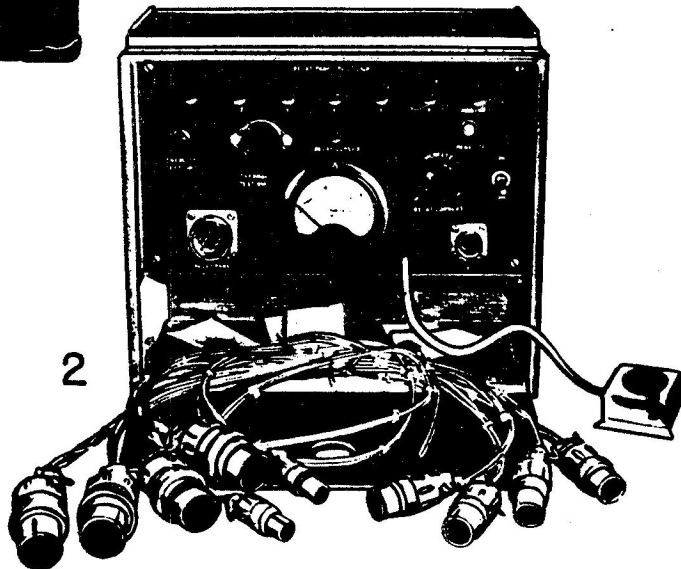
Figure and Index No.	Part Number	Nomenclature	Units							Application Code
			Per Assy	1	2	3	4	5	6	
SENSITIVE RELAY (cont)										
-3	NA20804	. Nut - Housing	1							all
-4	A50209	. Base and Pin Assy	1							all
-5	*NA13116	. Gasket - Cover	NP							all
8-	NA40240	. Cover and Nameplate Assy - Iron (Re- places NA40220 and NA13116) . .	1							all
8-	***NA40220	. Cover and Nameplate Assy - Aluminum .	NP							all
Attaching Parts										
-6	NA13381-5	. Screw - Mach, rd hd, brs, No. 3-48, 5/16 in. lg	2							all
-7	NA13455-3	. Washer - Lock, helical, stainless steel, for No. 3 bolt	2							all
-8	***NA13061	. Screw - Mach, rd hd, self-locking, No. 3-48, 5/16 in. lg (Replace with NA13381-5 and NA13455-3) .	NP							all
* - - - -										
-9	*NA29070	. Nameplate - Stamped	NP							all
Attaching Part										
-10	*NA13273-1	. Screw - Drive, rd hd, stainless steel, No. 00, 1/8 in. lg.	NP							all
* - - - -										
-11	***NA20823	. Cover - Dust (Replace with NA21263-3)	NP							all
-12	*NA21263-3	. Cover - Magnetic shield	NP							all
-13	NA21264	. Post	2							all
-14	NA13114	. Shield	1							all
-15	NA50032	. Coil Assy	2							all
-16	NA20812	. Spring - Side	2							all
-17	NA20900	. Nut - Lock, jewel	1							all
-18	NA20899	. Lever - Setting	1							all
-19	NA13123	. Washer - Lock, jewel clamping	1							all
-20	*NA20902	. Lug - Setting lever	NP							all
-21	NA49514	. Screw Assy - Jewel	1							all
-22	AN520B2-3	. Screw - Mach, rd hd, brs, No. 2-64, 3/16 in. lg (Edison No. A10406)	2							all
-23	A10600	. Washer - Lock, internal teeth, bronze, for No. 2 bolt	2							all
-24	NA13120	. Washer - Plain, brs, for No. 2 bolt .	2							all
8-	NA40499-1	. Bridge Assy	1							all
-25	NA20817	. Wire - Contact	1							all
-26	*No Number	. Bridge Assy, less contact wire . .	NP							all
-27	NA40437	. Plate Assy - Stop	1							all
-28	NA20893	. Washer - Plain, brs, .141 ID x .250 OD x .010 in. thick	1							all
8-	NA45048-1	. Rotor Assy	1							all
-29	A10255-1	. Weight - Balance	AR							all
-29	**A10255-2	. Weight - Balance	AR							all
-29	**A10255-3	. Weight - Balance	AR							all
-29	**A10255-4	. Weight - Balance	AR							all
-30	NA13115	. Hairspring	1							all
-31	*No Number	. Rotor Assy less weights and hair- spring	NP							all
-32	*NA20814	. Screw - Setting, No. 5-44 x 1/8 in. lg (Eliminate when using NA20596)	NP							all
-33	NA20596	. Spring - Setting, jewel	1							all
-34	***A10050	. Spring - Setting, jewel (Replace with NA20596)	NP							all
-35	NA49513	. Plug Assy - Jewel	1							all
-36	***A11202	. Plug Assy - Jewel (Replace with NA49513 and NA20754)	NP							all
-37	NA20754	. Collar - Adapter (Included with NA49513 when furnished as a spare part to permit use in NA40221)	1							all
-38	NA45047	. Housing Assy - Coil (Requires use of NA49513)	1							all
-38	***NA40221	. Housing Assy - Coil (Replace with NA45047)	NP							all

Note: See page 27 for application code for this page.

SECTION III
SPECIAL SERVICE TOOLS LIST



1



2

Figure 9. Special Service Tools

Figure and Index No.	Tool Number	Tool Name	Function
9-1	35528	Test Set - Fire Detector, Model 140-9	Routine testing of detector circuits.
9-2	18D8129	Tester - Fire Detection System	Checking operation of control assembly (relay panel), sensitive relay, and thermal test unit.

SECTION IV
NUMERICAL PARTS LIST

Part No.	Fig. & Index No.	Total per Equip	Part No.	Fig. & Index No.	Total per Equip	Part No.	Fig. & Index No.	Total per Equip
CAGE STYLE FIRE DETECTORS								
Nut	2-16	3	NA13479	(See 35729)		35155-2	2-5	1
	2-18		NA13494-6	(See AN363C632)		35155-3	2-8	1
Nut	2-20	1	NA13494-8	(See AN363C832)		35155-4	2-11	1
Washer	2-17	3	33786-1	2-1	1	35155-5	2-14	1
	2-19		33786-2	2-4	1	35534-1	2-3	1
Washer	2-21	1	33786-3	2-7	1	35534-2	2-6	1
AN363C632	2-24	1	33786-4	2-10	1	35534-3	2-9	1
AN363C832	2-25	1	33786-5	2-13	1	35534-4	2-12	1
NA13370	(See 34579)		34579	2-22	1	35534-5	2-15	1
NA13371	(See 34580)		34580	2-23	1	35727	2-26	1
NA13478	(See 35727)		35155-1	2-2	1	35729	2-27	1

PROB^ STYLE FIRE DETECTORS

Nipple	3-8	NP	NA20761	3-4	1	34606	3-1	1
Nut	3-9	NP	NA20762	3-5	1	34606-2	3-1	1
NA13484	3-7	1	NA45090	3-3	1	810911	(See TG-1921)	
NA13485	(See T-1923)		TG-1921	3-2	1			
NA20760	3-6	1	T-1923	3-10	1			

ONE-CIRCUIT FIRE DETECTOR CONTROL ASSEMBLY

Cover Assy	4-2	NP	F4D37	4-13	1	NA13395-1	4-27	1
Nut	4-21	1	NA10266-18	(See AN515C8-18)		NA13427	(See 5101-112)	
Washer	4-4	4	NA13133	(See AN8008D0)		NA13462-8	(See AN340C8)	
	4-32		NA13136	(See 78-S7S)		NA13487-3	(See AN515C4-3)	
AN3102-16S-1P	4-10	1	NA13137	(See 78-S-4)		NA13489-5	(See AN515C6-5)	
AN340C8	4-31	2	NA13143	(See 926A)		NA20859	4-45	2
AN381-2-6	4-35	1	NA13152	4-6	2	NA20913	4-25	1
AN393-23	4-37	1	NA13159	4-33	4	NA20914	4-54	1
AN425A3-4	4-26	7	NA13161	(See AN530-4-6)		NA20915	4-47	1
	4-52		NA13170	4-3	2	NA20916	4-29	1
AN430A3-3	4-53	4	NA13171	(See AN960D8)		NA21072-1	4-41	1
AN442A4-4	4-40	20	NA13193	(See AN3102-16S-1P)		NA21072-2	4-43	1
	4-42		NA13195	(See A6935-16-41)		NA21073	4-51	2
	4-44		NA13197	(See F4D37)		NA45152	4-9	1
	4-50		NA13203	(See AN430A3-3)		NA45153	4-30	1
AN515C4-3	4-14	4	NA13225	4-15	4	NA45155	4-48	1
AN515C6-5	4-24	1	NA13261	(See RC30BE391J)		RC30BE391J	4-16	2
AN515C8-18	4-34	2	NA13262	(See AN960C6)		2102-6	4-22	1
AN530-4-6	1-11	4	NA13282	(See AN442A4-4)		275-1	4-38	1
AN535-0-2	4-28	4	NA13304-2	(See AN535-0-2)		33795-1	4-7	1
AN8008D0	4-39	4	NA13342	(See 2102-6)		33862-1	4-8	1
	4-49		NA13365	(See AN393-23)		34368	4-1	1
AN960C6	4-23	1	NA13366	(See AN381-2-6)		5101-112	4-19	2
AN960D8	4-5	2	NA13367	(See 275-1)		78-S-4	4-18	1
A6935-16-41	4-12	1	NA13368	4-36	2	78-S7S	4-17	1
C16926	4-46	2	NA13380	(See AN425A3-4)		926A	4-20	1

Part No.	Fig. & Index No.	Total per Equip.	Part No.	Fig. & Index No.	Total per Equip.	Part No.	Fig. & Index No.	Total per Equip.
TWO-CIRCUIT FIRE DETECTOR CONTROL ASSEMBLIES								
AN3102-14S-2P	5-24	1	NA10445-8	(See AN936B8)		NA20917	5-58	2
AN3102-14S-5P	5-23	1	NA13103	5-41	1	NA20918	5-116	1
AN3102-14S-5P	5-24	1	NA13104	(See AN935-6)		NA20981	5-43	1
Position X	5-24	1	NA13133	(See AN8008D0)		NA20982	5-59	1
AN3102-16S-1P	5-24	1	NA13136	(See 78-S7S)		NA20983	5-14	1
AN430CS	5-69	12	NA13137	(See 78-S-4)		NA20989	5-29	2
	5-90		NA13152	5-11	2	NA21207	5-20	1
	5-103		NA13159	5-71	12	NA21208	5-19	1
AN365-632	5-126	16		5-92		NA21209	5-59	1
AN426A3-4	5-77	16		5-105		NA21220	5-83	1
	5-98		NA13160	(See 212-12)		NA21248	5-123	2
	5-111		NA13161	(See AN530-4-6)		NA21249	5-127	1
	5-122		NA13170	5-8	1	NA40238	5-118	2
AN430A3-3	5-64	4	NA13171	(See AN960D8)		NA40256	5-79	1
AN430A4-3	5-13	4	NA13193	(See AN3102-16S-1P)		NA40480	5-60	2
AN442A2-3	5-45	4	NA13197	(See F4D37)		NA40481	5-52	2
	5-47		NA13201	(See A4-30)		NA45129-2	5-6	1
AN442A4-4	5-53	112	NA13202	(See S4-225)		NA45130-2	5-6	1
	5-62		NA13203	(See AN430A3-3)		NA45132	5-6	1
	5-75		NA13204	(See AN3102-14S-5P)		NA45133	5-7	1
	5-81		NA13205	(See AN3102-14S-2P)		NA45137-2	5-50	1
	5-84		NA13207	(See A6935-14-41)		NA45138-2	5-50	1
	5-86		NA13219	(See AN430A4-3)		NA45139	5-50	1
	5-96		NA13225	(See AN936A4)		NA45140	5-52	2
	5-109		NA13261	(See RC30BE391J)		NA45141	5-88	2
	5-115		NA13279	(See AN930-1)		NA45142-1	5-101	1
AN505C6-6	5-125	16	NA13282	(See AN442A4-4)		NA45143-1	5-68	6
AN515C4-3	5-18	16	NA13284	(See AN442A2-3)			5-89	
	5-32		NA13304-2	(See AN535-0-2)			5-102	
AN515C6-3	5-42	1	NA13342	(See 2102-6)		NA45144-2	5-113	1
AN515C6-4	5-42	1	NA13346	(See K1605-Spec 1116)		NA45145	5-17	1
AN515C8-18	5-73	12	NA13379	(See AN3102-14S-5P Position W)		NA45147	5-17	1
	5-94					NA45181	5-17	1
	5-107		NA13395-0	5-48	1	NA45182-2	5-6	1
AN515C8-5	5-119	4	NA13405	5-46	1	NA45184	5-67	1
AN515C8-8	5-21	4	NA13407	5-44	1	NA51036	5-117	1
AN530-4-6	5-18	9	NA13427	(See 5101-112)		RC30BE391J	5-34	4
AN535-0-2	5-49	4	NA13455-8	(See AN935-8)		RC40BE391J	5-34	2
AN8005D0	5-61	16	NA13462-8	(See AN340C8)		S4-225	5-63	2
	5-80		NA13471	(See 1122)		1122	5-30	2
	5-100		NA13487-3	(See AN515C4-3)		13540-391	(See RC40BE391J)	
	5-114		NA13489-3	(See AN515C6-3)		2102-6	5-40	1
AN930-1	5-38	1	NA13489-4	(See AN515C6-4)		212-12	5-76	8
AN935-6	7-28	2	NA13498-4	(See AN426A3-4)			5-97	
AN935-8	5-9	18	NA20838	5-12	2		5-110	
	5-70		NA20859	5-51	6		5-121	
	5-91		NA20869	5-87	2	2600-E5	5-55	2
	5-104		NA20873	5-56	4	33795-1	5-15	2
	5-120			5-65		33862-1	5-16	2
AN936A4	5-33	8	NA20874	5-85	2	33919-2	(See 2600-E5)	
AN936B8	5-22	4	NA20877	5-66	2	34362-2	5-1	1
AN960D8	5-10	2	NA20880	5-57	2	34972-4	5-2	1
A4-30	5-54	2	NA20905	5-74	12	34974-1	5-3	1
A6935-14-41	5-25	2		5-95		34974-3	5-3	1
C16926	5-82	1		5-105		34974-6	5-4	1
F4D37	5-31	2	NA20907	5-72	12	34974-7	5-3	1
K1605-Spec 1116	5-26	2		5-93		35884	5-5	1
NA10263	(See 770-0.5)			5-106		5101-112	5-37	4
NA10264-6	(See AN505C6-6)		NA20920	5-78	6	770-0.5	5-124	4
NA10265	(See AN365-632)			5-99		78-S-4	5-35	2
NA10266-18	(See AN515C8-18)			5-112		78-S7S	5-36	2
NA10266-5	(See AN515C8-5)							
NA10266-8	(See AN515C8-8)							

Part No.	Fig. & Index No.	Total per Equip.	Part No.	Fig. & Index No.	Total per Equip.	Part No.	Fig. & Index No.	Total per Equip.
THREE-CIRCUIT FIRE DETECTOR CONTROL ASSEMBLIES								
Mount Assy - Shock	5A-45	1	NA13137	(See 78-S-4)		NA13487-3	(See AN515C4-3)	
Panel Assy	5A-2	1	NA13152	5A-7	4	NA13489-5	(See N515C6-5)	
AN3102-16S-1P	5A-17	1	NA13159	5A-49	4	NA20838	5A-9	3
AN3102-16S-1P			NA13160	(See 212-12)		NA20859	5A-39	4
Position W	5A-18	1	NA13161	(See AN530-4-6)		NA20882	5A-11	1
AN340C8	5A-29	5	NA13162	(See AN430A4-4)		NA20884	5A-44	1
	5A-47		NA13170	5A-4	4	NA20905	5A-52	4
AN425A3-4	5A-35	8	NA13171	(See AN960D8)		NA20907	5A-50	4
AN430A4-3	5A-10	6	NA13182	(See 2102-8)		NA20908	5A-43	2
AN430A4-4	5A-53	16	NA13193	(See AN3102-16S-1P)		NA20909	5A-56	2
AN442A4-4	5A-41	4	NA13195	(See A6935-16-41)		NA20919	5A-32	1
AN515C4-3	5A-21	12	NA13197	(See F4D37)		NA40472	5A-3	1
AN515C8-18	5A-51	4	NA13219	(See AN430A4-3)		NA40473	5A-38	1
AN515C8-4	5A-30	1	NA13220	(See AN3102-16S-1P		NA40493	5A-40	2
AN530-4-6	5A-15	8		Position W)		NA45104-3	5A-46	2
AN535-0-2	5A-35	8	NA13225	(See AN936A4)		N515C6-5	5A-16	4
	5A-37		NA13245	(See C6452-632-051-24)		RC30BE391J	5A-23	6
AN8008DO	5A-57	4	NA13261	(See RC30BE391J)		RC40BE391J	5A-23	3
AN930-1	5A-27	2	NA13271	5A-20	3	13540-391	(See RC40BE391J)	
AN935-8	5A-5	8	NA13276	(See AN340C8)		2102-8	5A-28	1
	5A-48		NA13279	(See AN930-1)		212-12	5A-54	4
AN936A4	5A-22	12	NA13282	(See AN442A4-4)		2600-4	5A-42	4
AN960D8	5A-6	4	NA13304-2	(See AN535-0-2)		33795-1	5A-12	3
A6935-16-41	5A-19	2	NA13380	(See AN425A3-4)		33862-1	5A-13	3
C6452-632-051-24	5A-31	4	NA13405	5A-34	1	34216-2	5A-1	1
F4D37	5A-20	3	NA13407	5A-33	1	34232-49	5A-36	1
NA10266-18	(See AN515C8-18)		NA13427	(See 5101-112)		34708-5	5A-14	1
NA10266-4	(See AN515C8-4)		NA13455-8	(See AN935-8)		5101-112	5A-26	6
NA13133	(See AN8008DO)		NA13462-8	(See AN340C8)		78-S-4	5A-24	3
NA13136	(See 78-S7S)		NA13465-4	(See 2600-4)		78-S7S	5A-25	3

FOUR-CIRCUIT FIRE DETECTOR CONTROL ASSEMBLIES

Nut	6-70	4	AN515B6-5	6-36	6	NA13104	(See AN935-6)	
Panel Assy	6-6	NP		6-52		NA13133	(See AN8008DO)	
AN3102-18-1P	6-64	1	AN515C4-3	6-67	8	NA13134	6-21	8
AN3102-18-8P	6-37	2	AN515C8-18	6-98	12		6-48	
	6-63			6-114		NA13136	(See 78-S7S)	
AN3102-18-8P				6-130		NA13137	(See 78-S-4)	
Position W	6-64	1	AN515C8-4	6-80	1	NA13141	(See AN515B6-5)	
AN3102-18-8P			AN515C8-8	6-61	4	NA13150	(See AN8008D-1)	
Position Z	6-63	1	AN530-4-6	6-35	16	NA13152	6-12	8
AN3102-18-9P	6-38	2		6-60			6-23	
	6-64		AN535-0-2	6-28	4	NA13154	(See 68TM62)	
AN340C8	6-79	13	AN8008DO	6-99	4	NA13155	6-46	4
	6-95		AN8008D-1	6-105	12	NA13157	6-40	1
	6-110			6-121		NA13159	6-97	16
	6-126			6-136			6-112	
AN340-8	6-47	4	AN931-10-14	6-77	2		6-128	
AN425A3-4	6-118	16	AN935-6	6-71	4	NA13160	(See 212-12)	
	6-134		AN935-8	6-10	20	NA13161	(See AN530-4-6)	
AN430A4-3	6-14	16		6-21		NA13162	(See AN430A4-4)	
	6-25			6-96		NA13163	(See 68C2-62)	
AN430A4-4	6-89	36		6-111		NA13164	(See A6935-18-41)	
	6-116			6-127		NA13166	(See AN3102-18-8P)	
	6-132		AN936A4	6-68	8	NA13167	(See AN3102-18-8P)	
AN442A2-3	6-17	12	AN936B8	6-62	4	NA13169	(See AN3102-18-1P)	
	6-28		AN960D8	6-11	8	NA13170	6-9	8
	6-31			6-22			6-20	
AN442A4-4	6-85	54	A6935-18-41	6-39	3	NA13171	(See AN960D8)	
	6-100			6-65		NA13174	(See AN515B6-10)	
	6-106		CR116-3-4	6-102	8	NA13175	(See 10261)	
	6-122		K1605-Spec	1116.6-69	4	NA13176	(See AN515B4-3)	
AN515B4-3	6-45	8	NA10266-18	(See AN515C8-18)		NA13182	(See 2102-8)	
AN515B6-10	6-42	3	NA10266-4	(See AN515C8-4)		NA13186-8	(See AN340-8)	
			NA10266-8	(See AN515C8-8)		NA13219	(See AN430A4-3)	
			NA10448-8	(See AN936B8)				

Section IV
Numerical Parts List

EO 40-95AA-4

Part No.	Fig. & Index No.	Total per Equip.	Part No.	Fig. & Index No.	Total per Equip.	Part No.	Fig. & Index No.	Total per Equip.
NA13225	(See AN936A4)		NA20907	6-113	8	NA50091	6-120	1
NA13261	(See RC30BE391J)			6-129		NA50092-1	6-124	2
NA13269	(See AN3102-18-1P)		NA20908	6-91	2	NA50092-2	6-124	2
NA13274	(See AN3102-18-8P Position W)		NA20909	6-119	4	NA50093	6-93	1
NA13277	(See AN931-10-14)			6-135		NA50095-1	6-108	1
NA13282	(See AN442A4-4)		NA20921	6-81	1	NA50095-2	6-108	1
NA13284	(See AN442A2-3)		NA20923	6-26	1	RC30BE391J	6-73	8
NA13304-2	(See AN535-0-2)		NA20924	6-123	1	RC40BE391J	6-73	4
NA13346	(See K1605-Spec 1116)		NA20957	6-103	1	10261	6-44	4
NA13380	(See AN425A3-4)		NA20977	6-92	1	1122	6-66	4
NA13395-0	6-27	1	NA20989	6-72	4	13540-391	(See RC40BE391J)	
NA13405	6-16	2	NA21082-1	6-92	1	2102-8	6-78	1
	6-30		NA21335	6-18	1	212-12	6-101	12
NA13407	6-15	2	NA40440	6-82	1		6-117	
	6-29		NA40440-2	6-82	1		6-133	
NA13414	(See AN3102-18-8P Position Z)		NA40441	6-94	1	2600-4	6-86	8
NA13415	(See CR116-3-4)		NA40442	6-104	1		6-90	
NA13427	(See 5101-112)		NA40443	6-19	NP	33795-1	6-32	4
NA13455-8	(See AN935-8)		NA40446	6-34	NP	33862-1	6-33	4
NA13462-8	(See AN340C8)		NA40452	6-84	2	33896	6-1	NP
NA13465-4	(See 2600-4)		NA40493	6-88	2	33895-2	6-1	1
NA13471	(See 1122)		NA45104-3	6-109	4	34399	6-2	1
NA13487-3	(See AN515C4-3)			6-125		34399-2	6-2	1
NA20598	6-107	1	NA45104-4	6-109	4	34726	6-4	1
NA20805	6-92	1		6-125		34726-2	6-3	1
NA20835	6-43	3	NA45105	6-19	1	34726-4	6-5	1
NA20836	6-53	2	NA45107	6-59	1	34726-6	6-4	1
NA20837	6-87	2	NA45108	6-7	1	34978	6-5	1
NA20838	6-13	8	NA45110-3	6-82	1	34978-2	6-5	1
	6-24		NA45116	6-59	1	5101-112	6-56	16
NA20849	6-26	NP	NA45118-2	6-7	1		6-76	
NA20859	6-83	8	NA45119	6-59	1	68C2-62	6-57	4
NA20860	6-50	6	NA45125	6-6	1	68TM62	6-41	5
NA20861	6-49	2	NA45126-1	6-59	1		6-51	
NA20881	6-58	NP	NA45128-2	6-7	1	78-S-4	6-54	8
NA20905	6-115	8	NA45150	6-7	1		6-74	
	6-131		NA45154-2	6-7	1	78-S7S	6-55	8
NA20906	6-115	8	NA45168	6-59	1		6-75	
	6-131		NA45169	6-59	1			
			NA45208	6-8	1			

Part No.	Fig. & Index No.	Total Per Equip	Part No.	Fig. & Index No.	Total Per Equip	Part No.	Fig. & Index No.	Total Per Equip
SIX-CIRCUIT FIRE DETECTOR CONTROL ASSEMBLIES								
Nut	7-23	6	NA13137	(See 78-S-4)		NA20907	7-53	4
Washer	7-6	8	NA13150	(See AN8008D-1)		NA20908	7-46	2
	7-51		NA13152	7-8	4	NA20909	7-59	2
Washer	7-24	6	NA13154	(See AN364D632)		NA20911	7-63	1
AN3102-18-1P	7-18	1	NA13158	(See 2500-E5)		NA20947	7-42	8
AN3102-20-27P	7-20	1	NA13159	7-52	4	NA20986	7-11	1
AN340C8	7-50	4	NA13160	(See 212-12)		NA20988	7-34	1
AN364D632	7-32	1	NA13161	(See AN530-4-6)		NA20989	7-25	6
AN425A3-4	7-58	8	NA13162	(See AN430A4-4)		NA21068	7-47	1
AN430A4-3	7-10	12	NA13164	(See A6935-18-41)		NA40493	7-43	2
AN430A4-4	7-44	36	NA13170	7-5	4	NA45085	7-14	1
	7-56		NA13171	(See AN960D8)		NA45086-1	7-48	1
	7-62		NA13213	(See A6935-20-41)		NA45086-2	7-48	1
AN442A2-3	7-36	4	NA13214	(See AN3102-20-27P)		NA45104-1	7-49	2
	7-38		NA13219	(See AN430A4-3)		NA45104-2	7-49	2
AN515C6-5	7-33	1	NA13261	(See RC30BE391J)		NA45148	7-4	1
AN515C8-18	7-54	4	NA13269	(See AN3102-18-1P)		NA45149	7-41	1
AN515C8-8	7-16	4	NA13279	(See AN930-1)		NA45151-1	7-60	1
AN530-4-6	7-15	8	NA13284	(See AN442A2-3)		NA45151-2	7-60	1
AN535-0-2	7-40	4	NA13304-2	(See AN535-0-2)		NA51032	7-3	1
AN8008D-1	7-61	4	NA13342	(See 2102-6)		RC30BE391J	7-26	12
AN930-1	7-30	2	NA13346	(See K1605-Spec 1116)		2102-6	7-31	1
AN936B8	7-17	4	NA13380	(See AN425A3-4)		212-12	7-57	4
AN960D8	7-7	4	NA13395-0	7-39	1	2500-E5	7-45	4
A6935-18-41	7-19	1	NA13405	7-37	1	33795-1	7-12	6
A6935-20-41	7-21	1	NA13407	7-35	1	33862-1	7-13	6
K1605-Spec 1116	7-22	6	NA13427	(See 5101-112)		34958	7-1	1
NA10266-18	(See AN515C8-18)		NA13462-8	(See AN340C8)		35213	7-2	1
NA10266-8	(See AN515C8-8)		NA13489-5	(See AN515C6-5)		5101-112	7-29	12
NA10448-8	(See AN936B8)		NA20838	7-9	6	78-S-4	7-28	6
NA13136	(See 78-S7S)		NA20903	7-55	4	78-S7S	7-27	6

SENSITIVE RELAY

Bridge Assy	8-26	NP	NA13116	8-5	NP	NA20900	8-17	1
Rotor Assy	8-31	NP	NA13120	8-24	2	NA20902	8-20	NP
Washer	8-7	2	NA13123	8-19	1	NA21263-3	8-12	NP
AN520B2-3	8-22	2	NA13146	8-2	1	NA21264	8-13	2
A10050	8-34	NP	NA13273-1	8-10	NP	NA29070	8-9	NP
A10255-1	8-29	AR	NA13381-5	8-6	2	NA40220	8	NP
A10255-2	8-29	AR	NA20596	8-33	1	NA40221	8-38	NP
A10255-3	8-29	AR	NA20754	8-37	1	NA40240	8	1
A10255-4	8-29	AR	NA20804	8-3	1	NA40437	8-27	1
A10408	(See AN520B2-3)		NA20812	8-16	2	NA40499-1	8	1
A10600	8-23	2	NA20814	8-32	NP	NA45047	8-38	1
A11202	8-36	NP	NA20617	8-25	1	NA45048-1	8	1
A50209	8-4	1	NA20823	8-11	NP	NA49513	8-35	1
NA13061	8-8	NP	NA20839	8-1	1	NA49514	8-21	1
NA13114	8-14	1	NA20893	8-28	1	NA50032	8-15	2
NA13115	8-30	1	NA20899	8-18	1	33795-1	8	Ref

